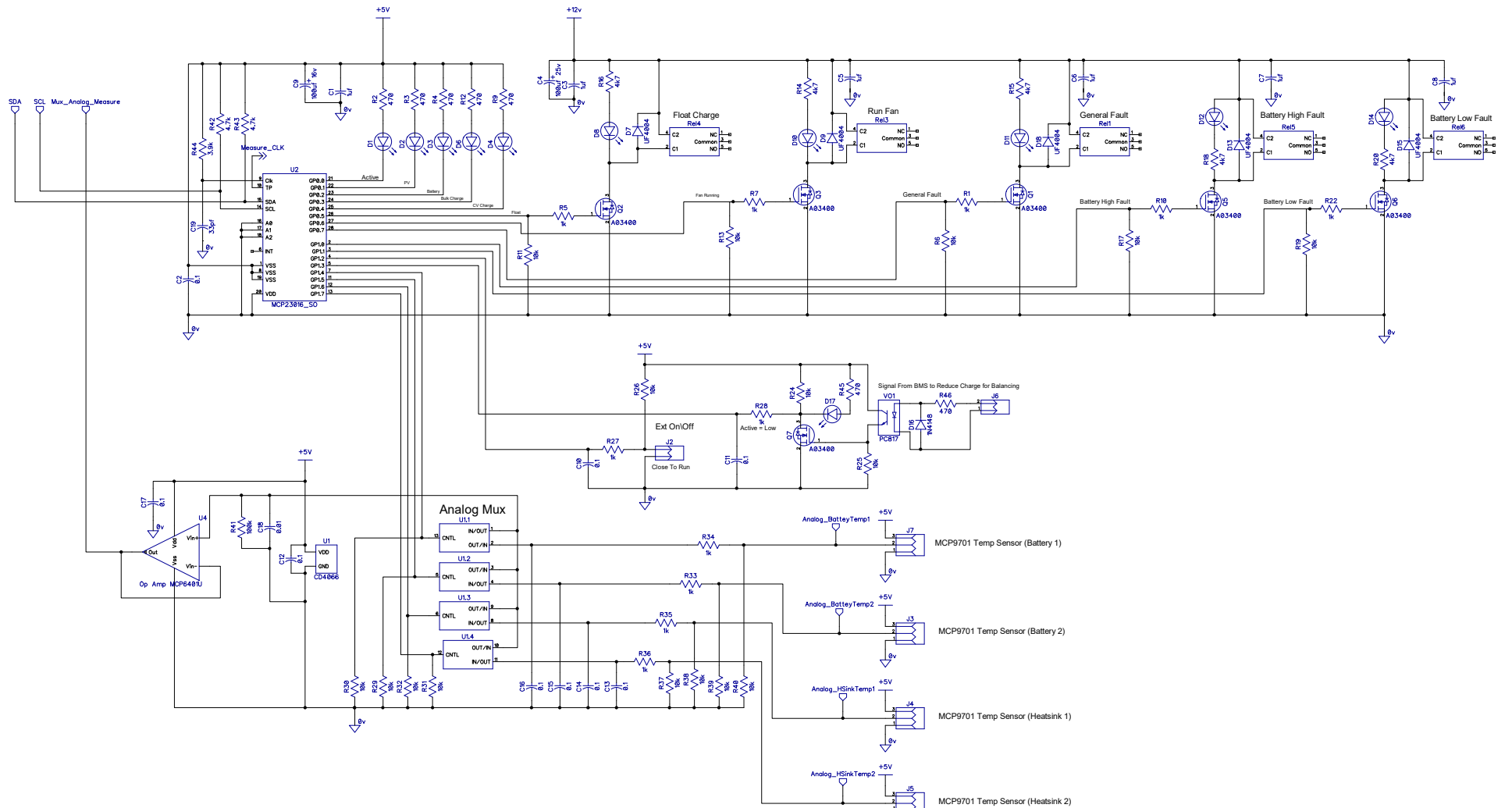


I2C Low Speed IO Module



Mikes Note: Can also use LM35 sensor, however getting expensive and too many fakes that dont work.