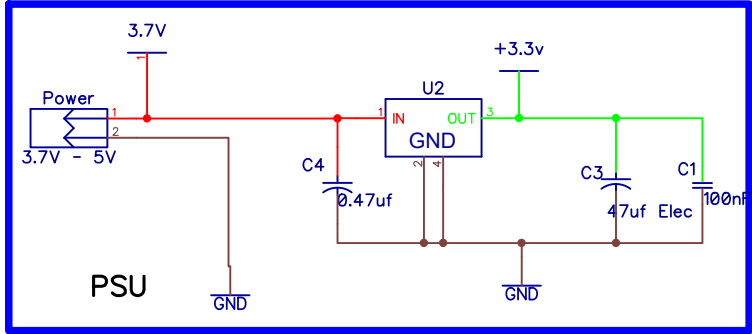
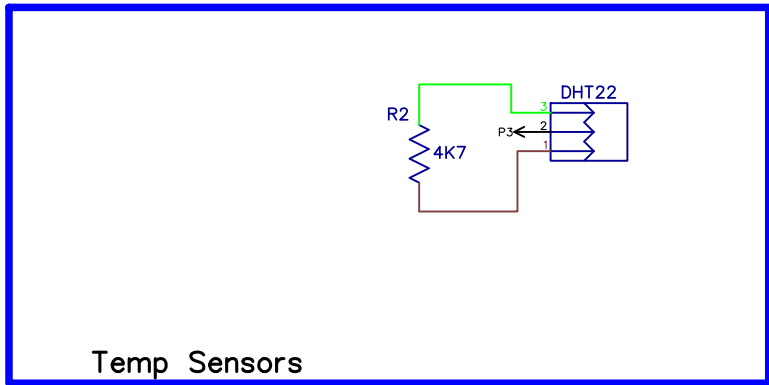


RevNo	Revision note	Date	Signature	Checked
-------	---------------	------	-----------	---------

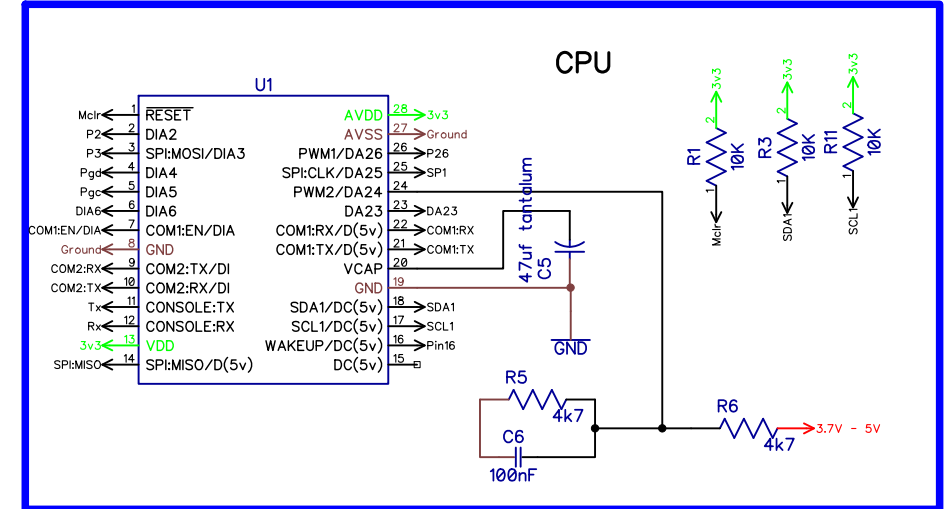
A



B



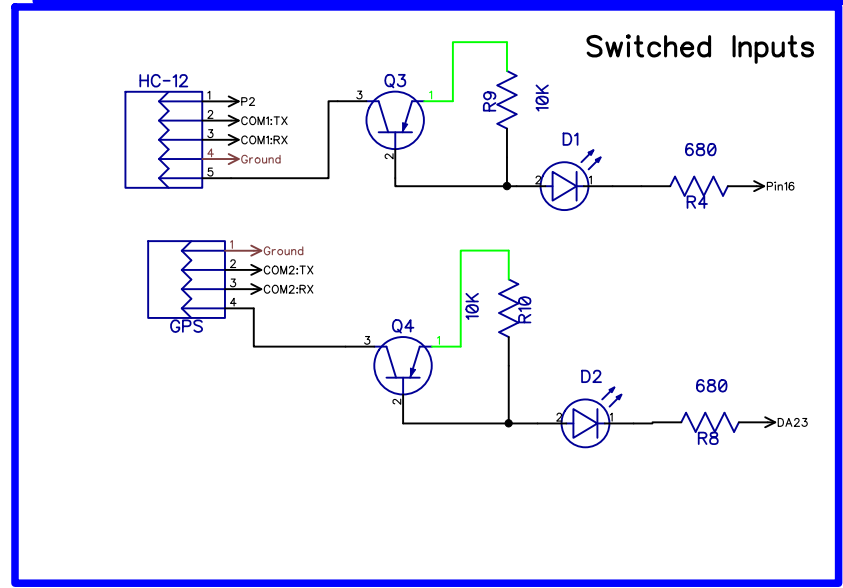
C



A

B

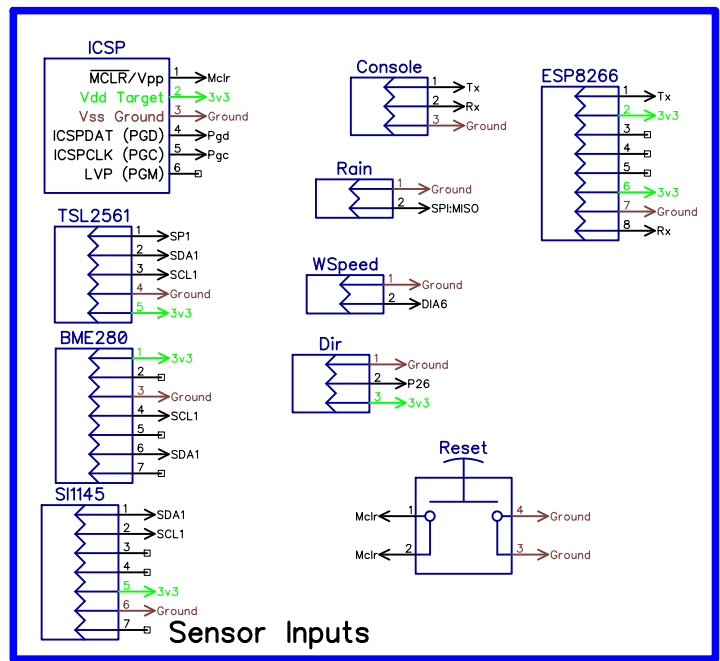
D



C

D

F



Itemref	Quantity	Title/Name, designation, material, dimension etc	Article No./Reference
Designed by	Checked by	Approved by - date - 00/00/00	File name
Weather Station Outdoor Unit			Date 00/00/00
LEW247			Scale 1:1
			Edition 0
			Sheet 1/1

F