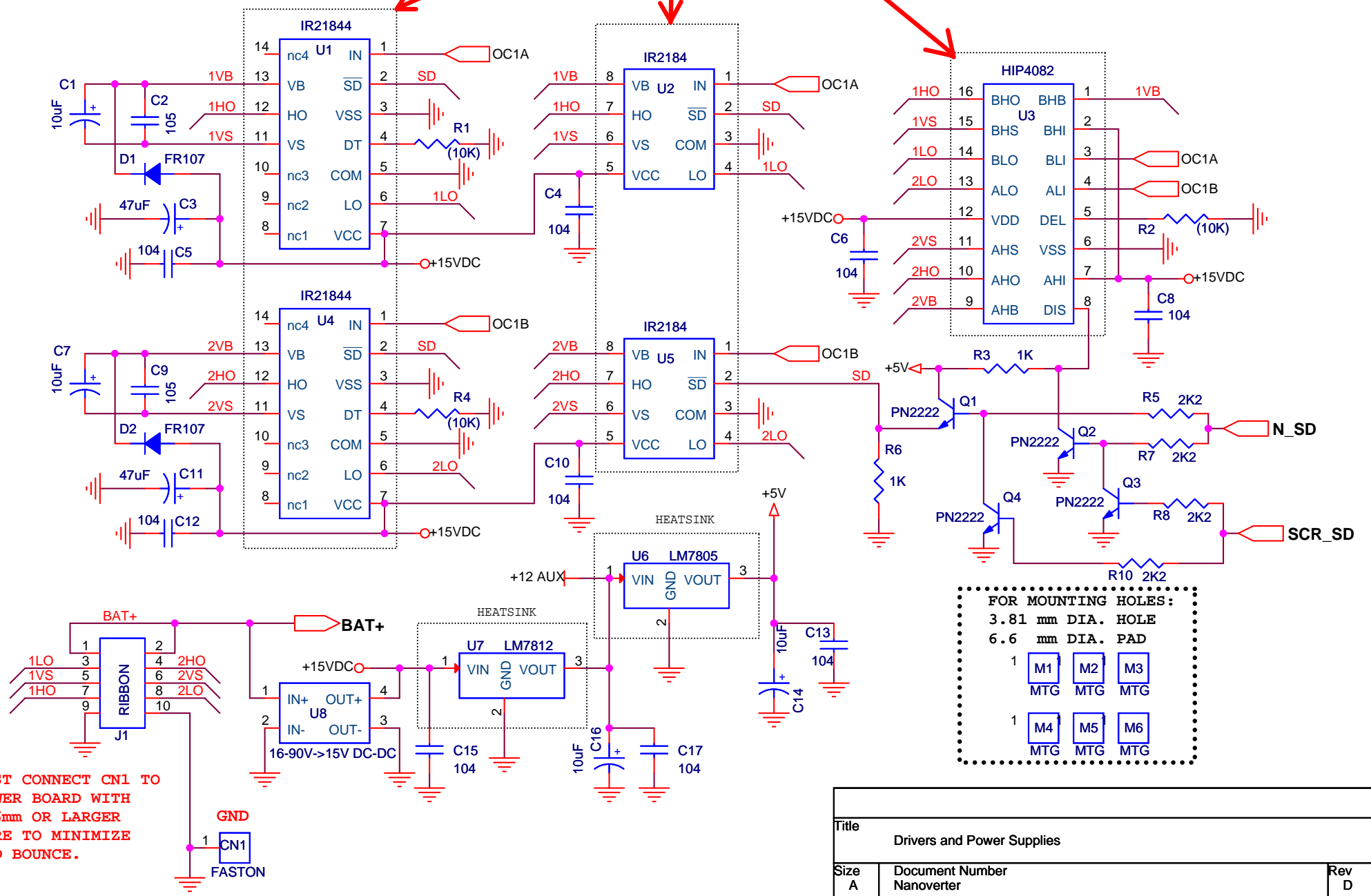
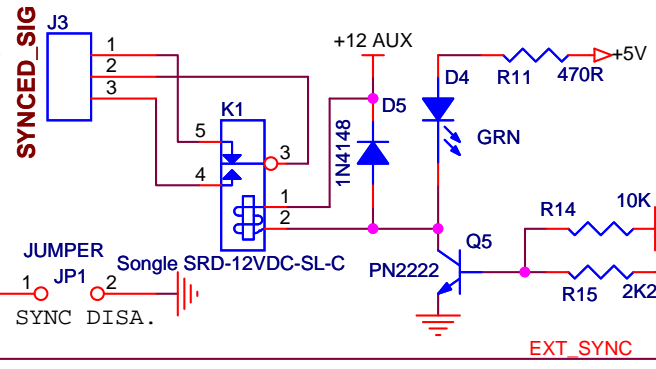
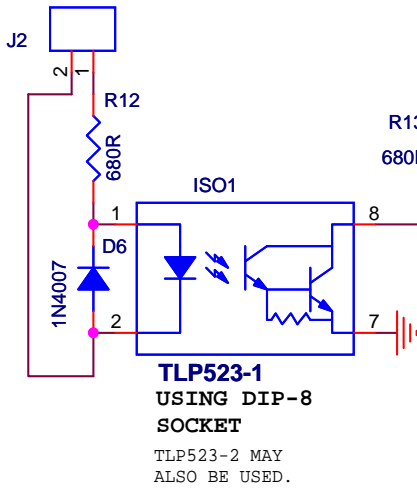


**CHOOSE YOUR POISON.
CAUTION: MORE THAN ONE CAN KILL!**

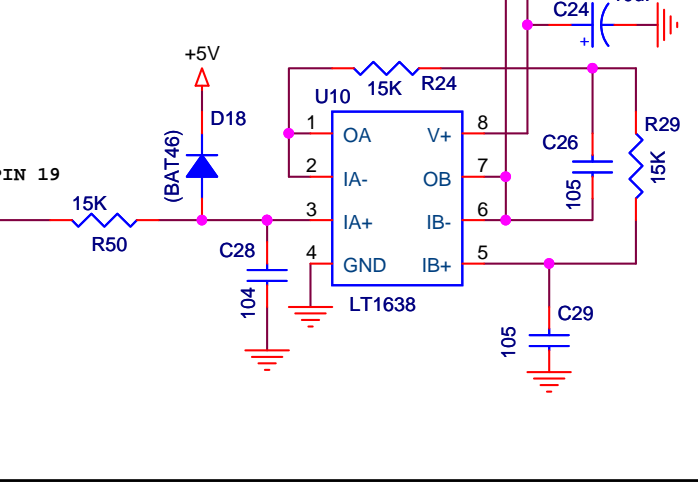
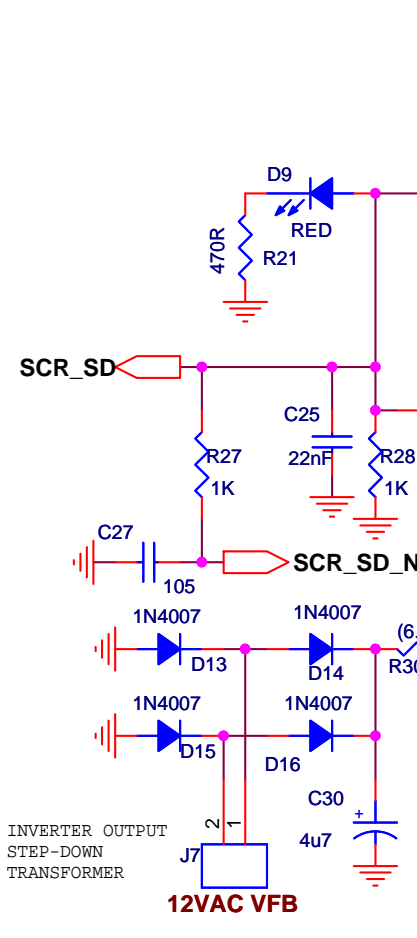
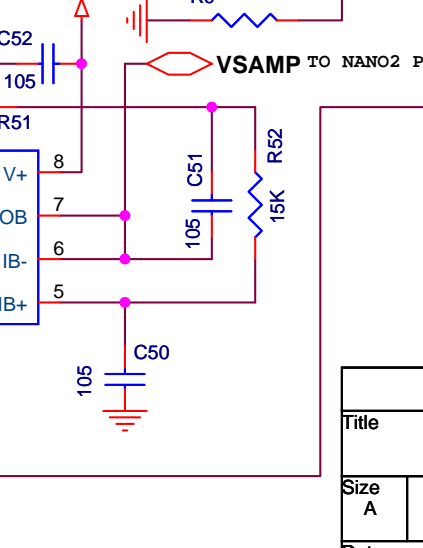
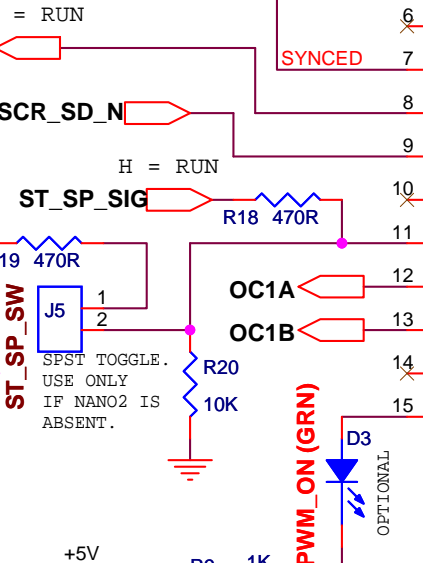
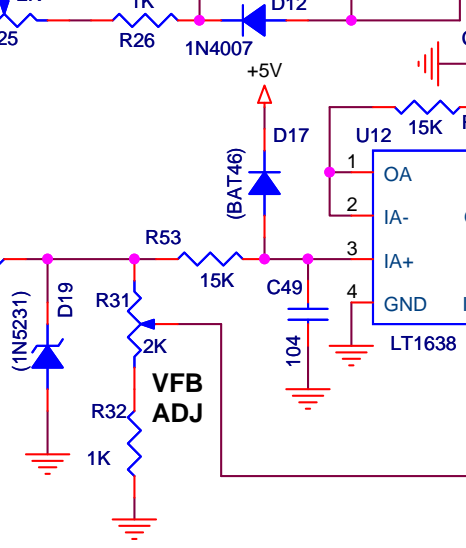
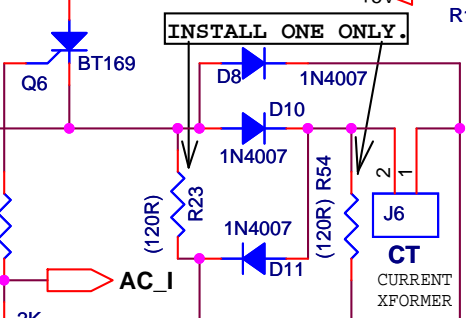
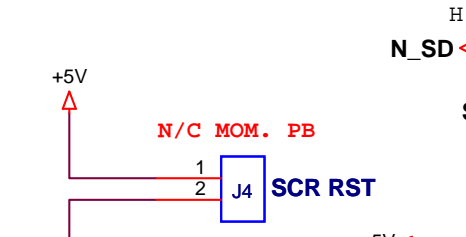
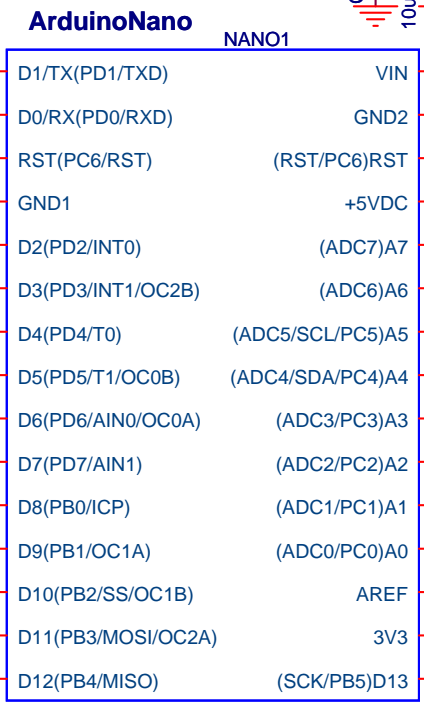


Title		
Drivers and Power Supplies		
Size	Document Number	Rev
A	Nanoverter	D
Date:	Saturday, May 04, 2019	Sheet 1 of 3

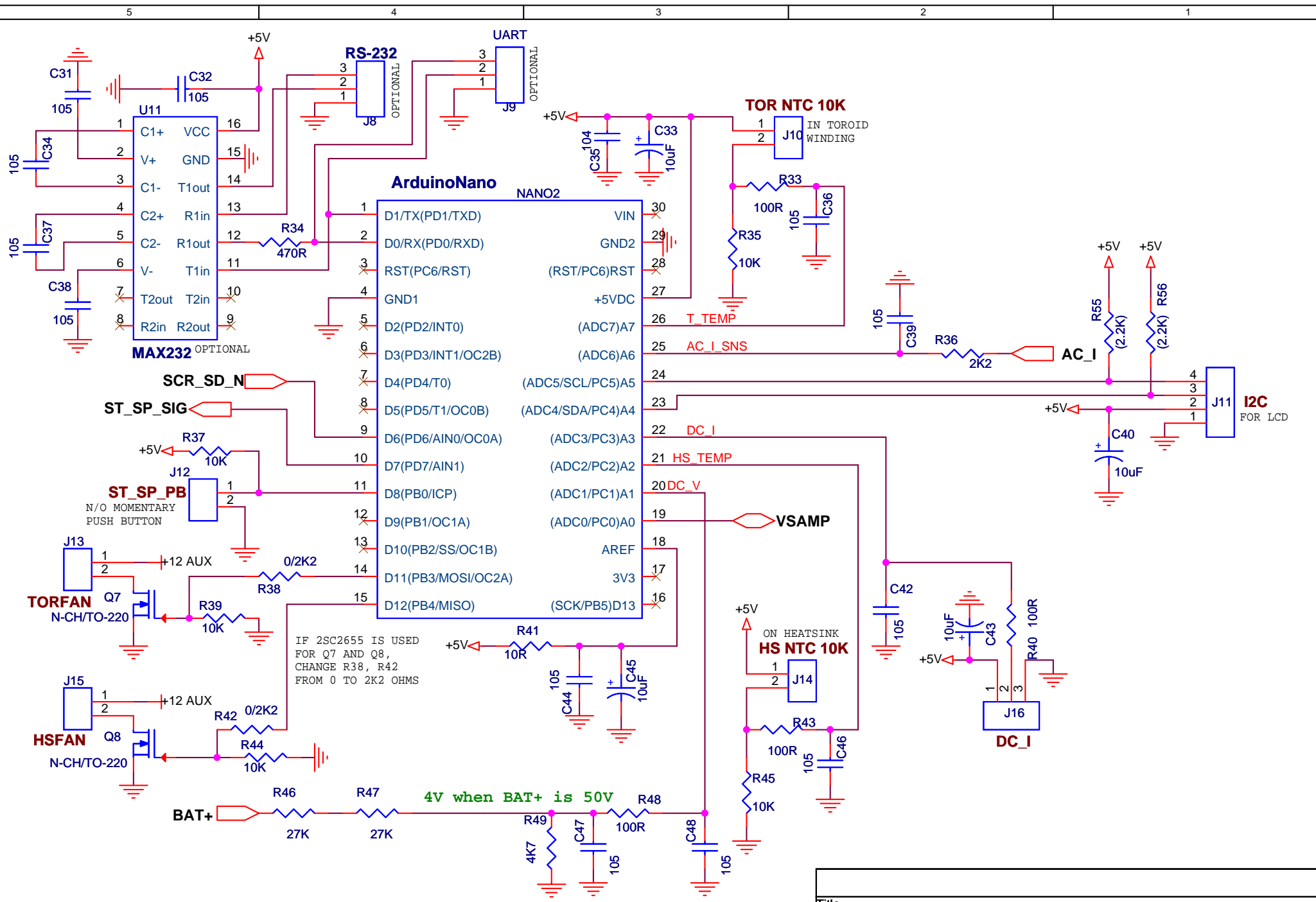
12VAC EXTERNAL XFMR



LOCATE FOR SHORTEST CONNECTION TO U1 PINS.



Title		
Nano1 - SPWM Generator, External Sync and Shutdown		
Size	Document Number	Rev
A	NANOVERTER	D
Date:	Saturday, May 04, 2019	Sheet 2 of 3



IF 2SC2655 IS USED FOR Q7 AND Q8, CHANGE R38, R42 FROM 0 TO 2K2 OHMS

Title		
Nano2 - Sensors and Comm		
Size	Document Number	Rev
A	NANOVERTER	D
Date:	Saturday, May 04, 2019	Sheet 3 of 3