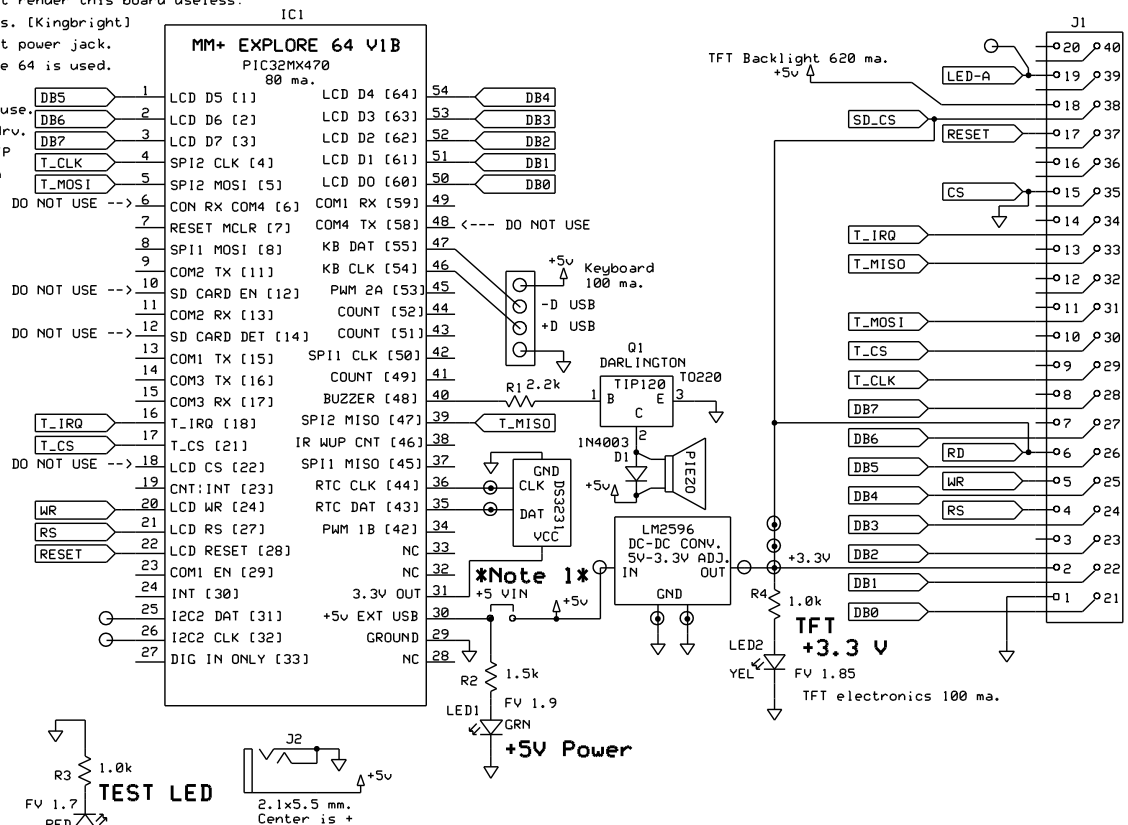


Notes:

1. WARNING ... Do not use USB power at the same time as external power!!!!
Remove external power, when using USB, by using +5 VIN jumper.
2. Keyboard connector can be wired up as USB but needs PS2 chip inside keyboard to function.
3. To unbrick MM+ jumper across serial console (Com4 6/58) then reset or use !!!!!.
4. Firmware GPIO changes can/might render this board useless!
5. Use very low current 2 ma. LEDs. [Kingbright]
6. Do not supply > 5.25 V to input power jack.
7. Only the SD card on MM+ Explore 64 is used.
8. Firmware used: 4.7b23.
9. Adjust DC-DC converter before use.
10. Piezo rating +3-5V with int. drv.
11. All pin #s [x] ref. 64 pin TQFP
12. No reverse polarity protection on supply power input.



**7" TFT
SSD1963**

Note 1

+5v +- 5% Regulated Supply Power
2 A +5 VDC
OR
5V USB Lithium power/charger/pack
xx,xxx mAh determined by user

Company Name		
Preliminary E 64 Bridge R1b		
Designer's name	Rev 1.0B 8/17/2015	Page # or name