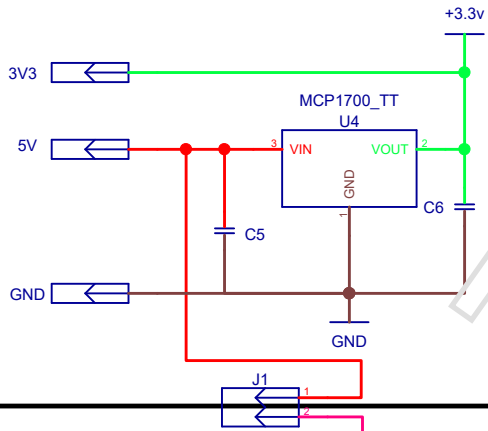
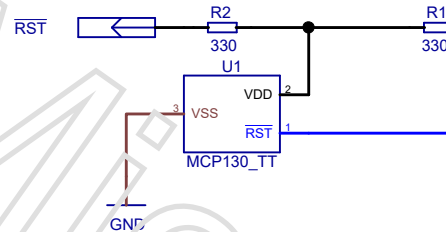


Power

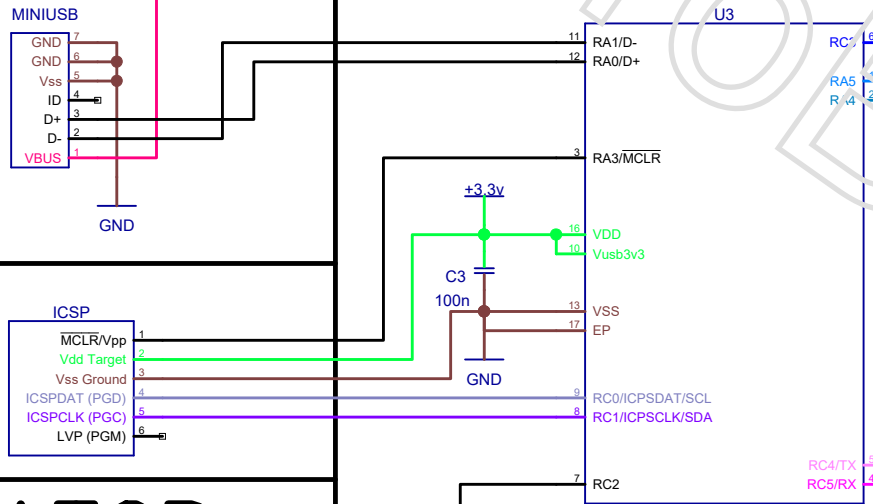
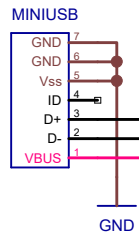


UMX170-44

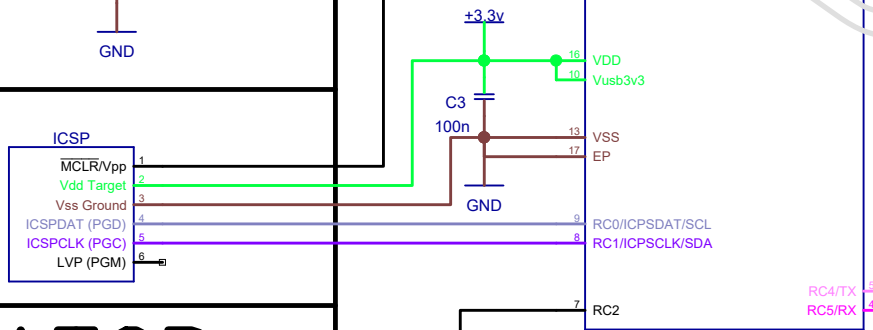
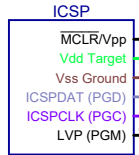
Supervisor



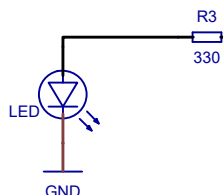
USB



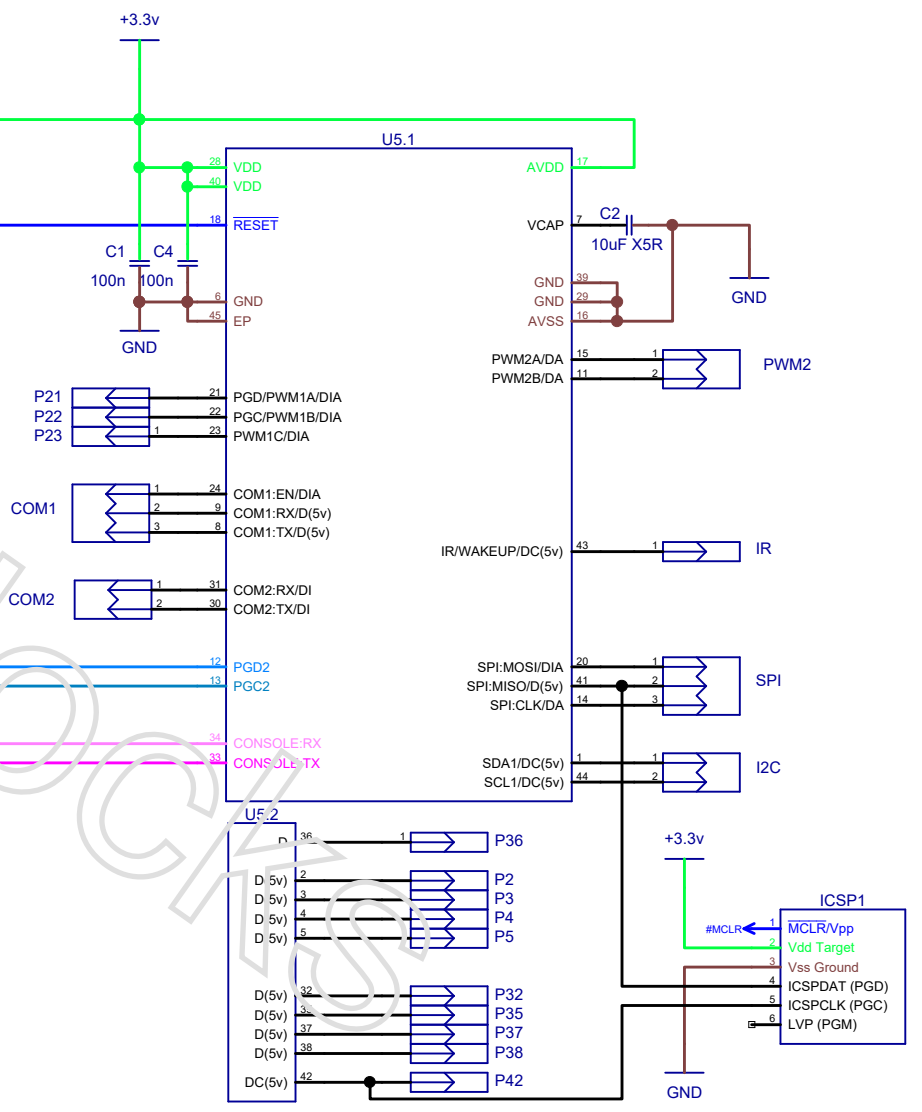
ICSP



INDICATOR



USB-Serial and programmer



Microblocks UMX170-44		
Size	Number	Rev
2016-01-02	JR	1
UMX170		1 of 1