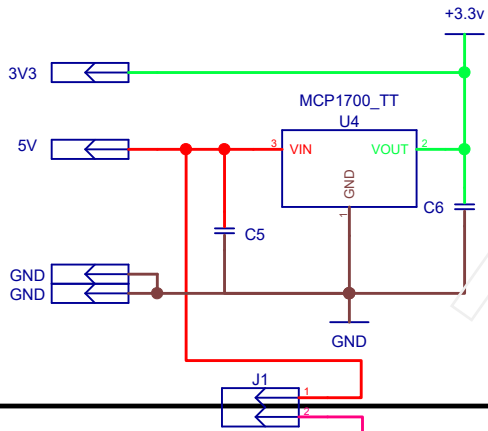
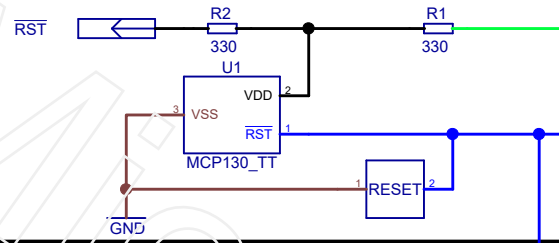


Power

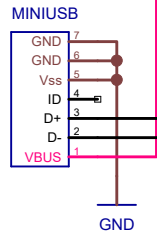


UMX170-44

Supervisor



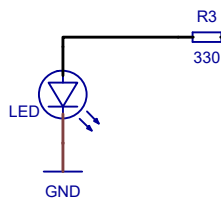
USB



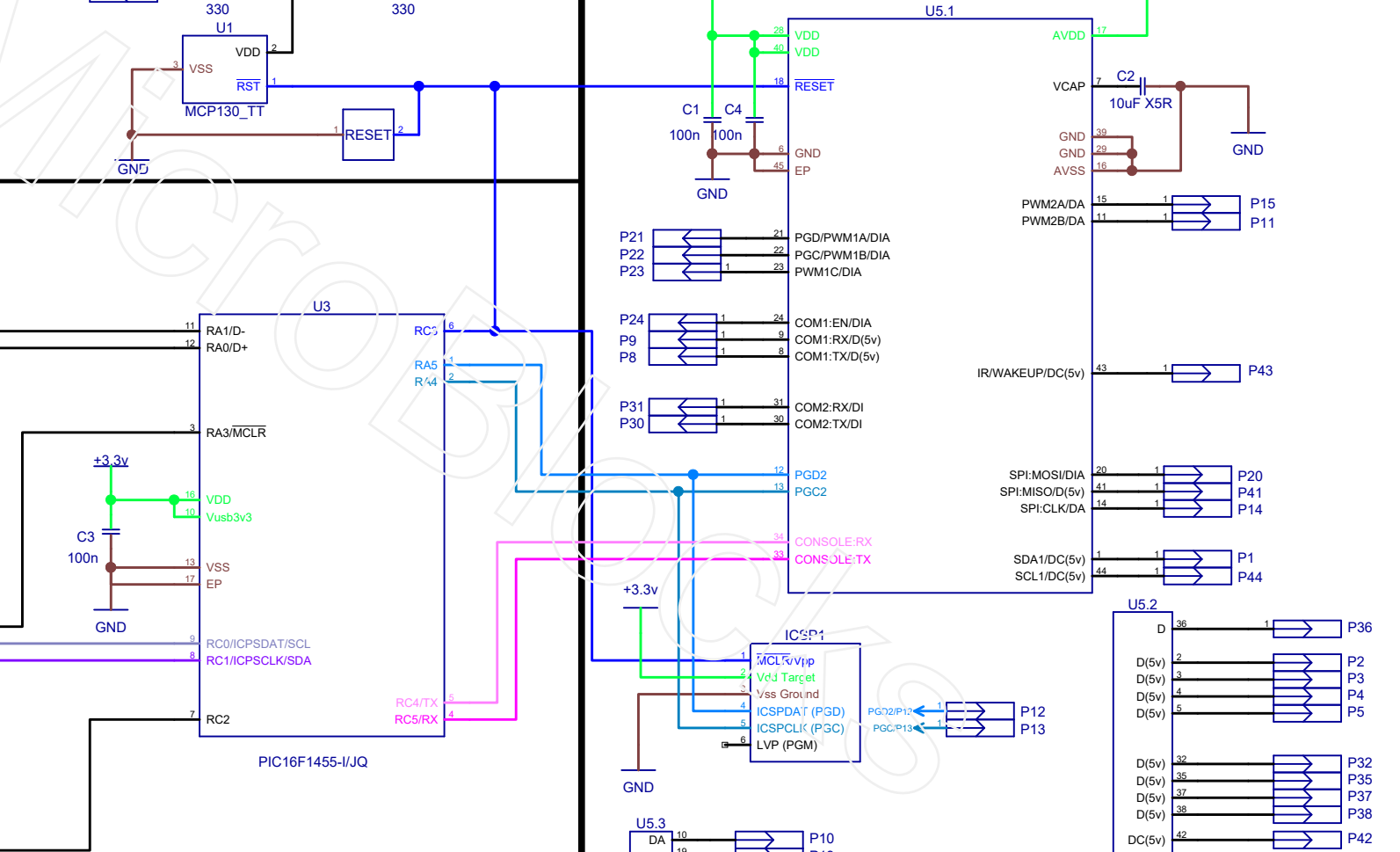
ICSP



INDICATOR



USB-Serial and programmer



Microblocks UMX170-44		
Size	Number	Rev
2016-03-10	JR	1
UMX170-44	1 of 1	