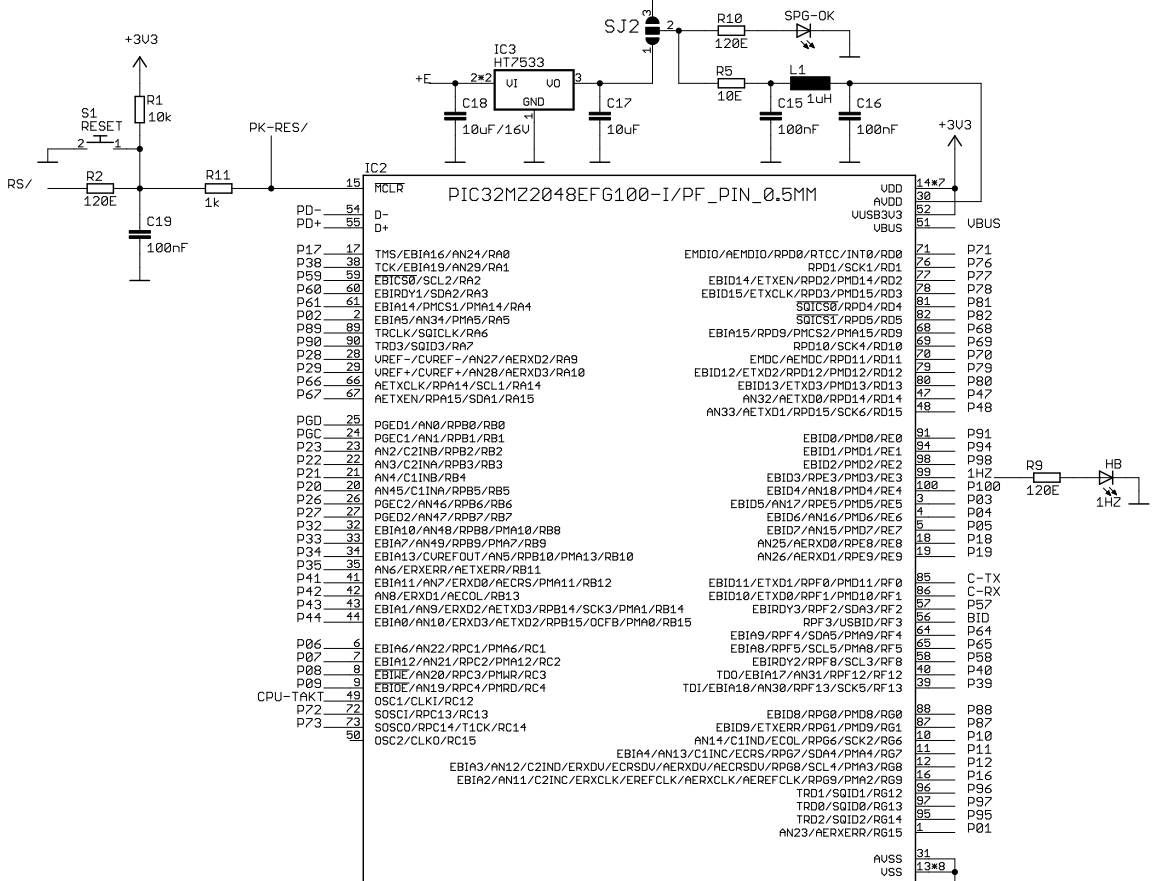
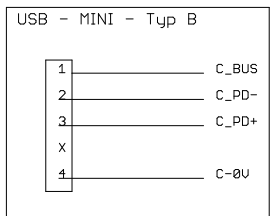
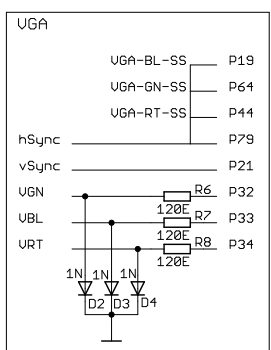
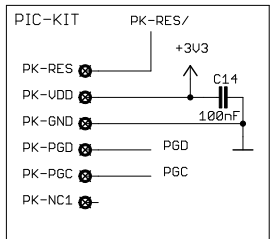
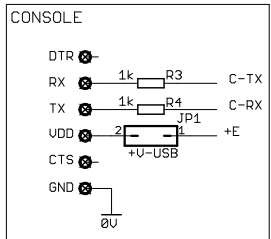


SJ1
1-2 = Osz. sleep / 2-3 = Betrieb

SJ2
1-2 = Betrieb mit IC-3
2-3 = WÄHREND PROGRAMMIERUNG !!
2-3 = Betrieb ohne IC-3



DIGITAL EIN/AUS/ANALOG PIN,s
1-12, 16-29, 32-35, 38-44, 47, 48, 100

COUNT/IR PIN,s
6-9 / 9=INFRARÖT

PWM PIN,s
73=PWM_1A 6=PWM_2A
71=PWM_1B 40=PWM_2B
16=PWM_1C 3=PWM_2C

SPI - 1
76=CLK
77=INP (MISO)
78=OUT (MOSI)

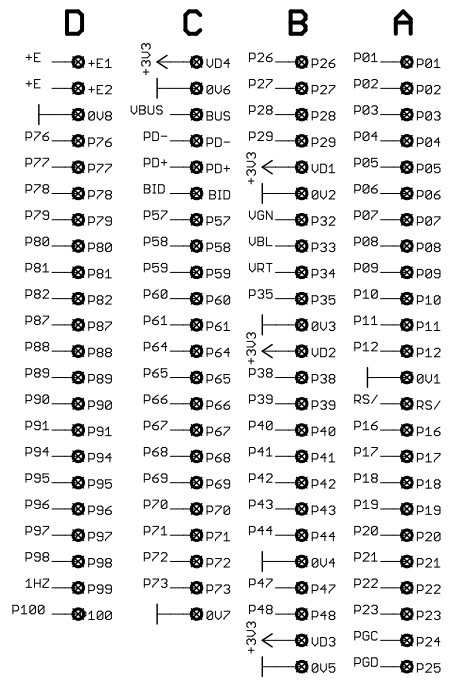
SPI - 2
10=CLK
72=INP (MISO)
66=OUT (MOSI)

TON-AUSG. PIN,s
18=RECHTER KANAL
3=LINKER KANAL

I2C PIN,s
11=I2C-1_SDA, 12=I2C-1_CLK
60=I2C-2_SDA, 59=I2C-2_CLK

COM PIN,s
47=C1_RX, 88=C2_RX, 58=C3_RX
65=C1_TX, 87=C2_TX, 57=C3_TX
39=C1_EN

COM PIN,s
69=CLK
72=INP (MISO)
67=OUT (MOSI)



TITLE: PIC32MZ_CPU_U1	
Document Number:	REV: U1
Copyright - RamoSoft, W. Ramoser	
Date: 05.02.18 11:46	Sheet: 1/1