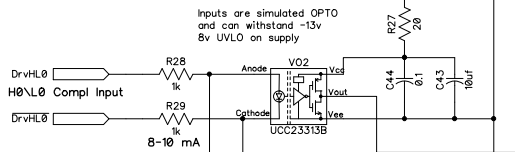
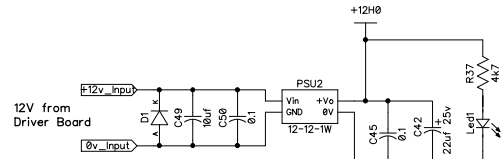
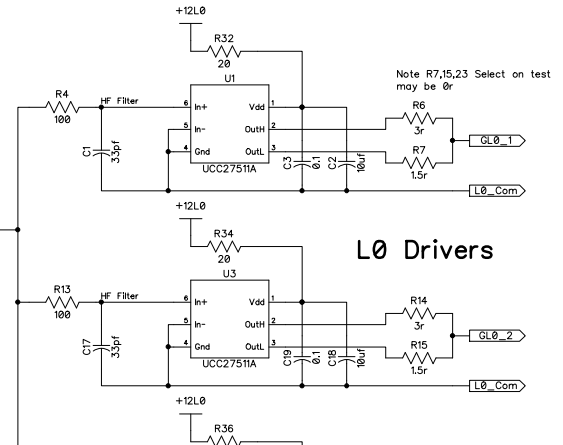
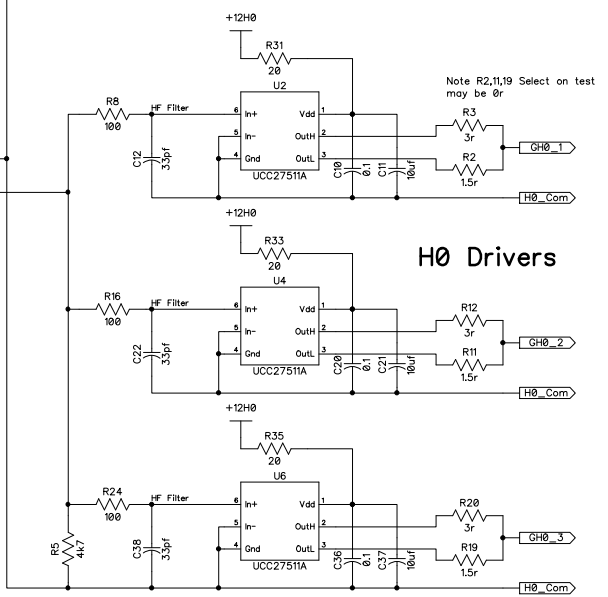
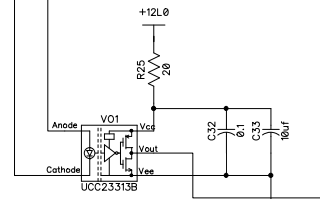


Half Bridge Power Module  
Ver 004  
Solar Mike  
RMS & Electronics



Use only if deadtime not on driver  
C51  
Tnf\*\*\*



+12L0