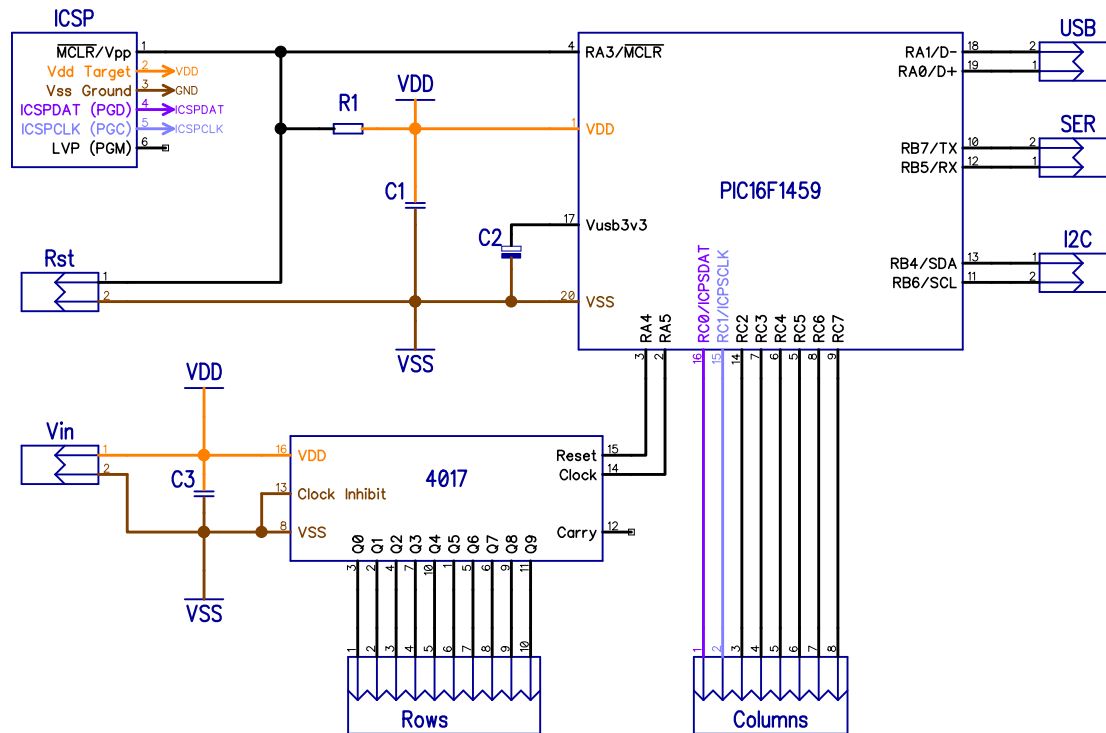



# BBM Series X2S v0.1



BBM-X2S	Medium	Matrix to Serial Module, BBM-X2S, pcb2, 23x88mm	BBM Series X2S v0.1		
Designed by MicroBlocks	Checked by -	Approved by - date -	Init. Date 15/08/21	Date 15/08/24	Scale 1:1
			File name BBM\MOD\X2S.dch		
			Edition 1		Sheet 1/1