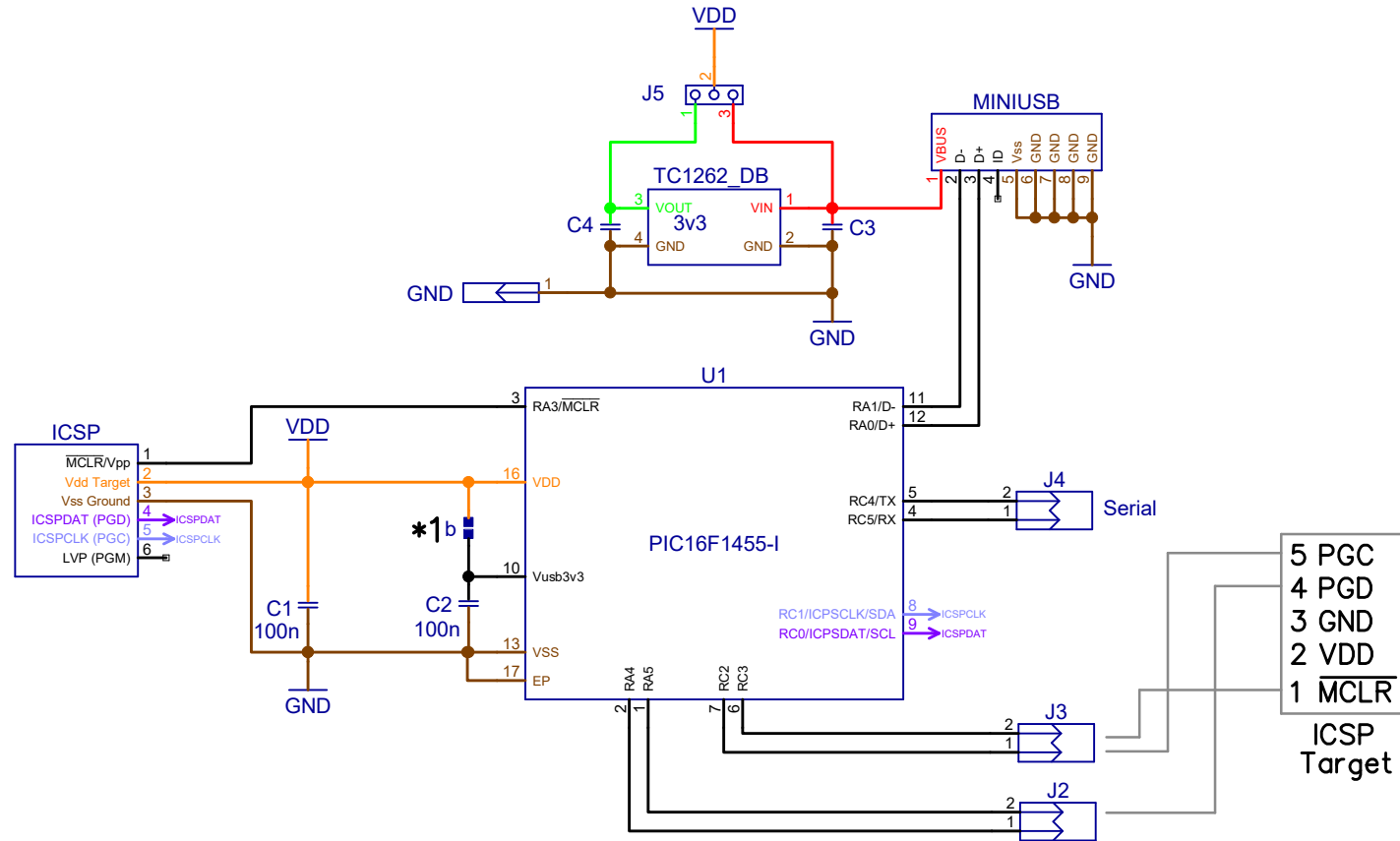



Microblocks BBM-Series U2SP5



*1b is a solder bridge.
Connect ONLY when
using 3v3 as VDD and
if USB is unreliable.

U2SP5	Quantity	USB-Serial/Programmer and Power 5/3.3v 500ma		BBM Series U2SP5	
Designed by MicroBlocks	Checked by JR	Approved by - date -	File name U2SP5.dch	Date 2015-09-21	Scale 1:1
			Folder name Microblocks\Projects\BBM\U2SP5		
			Schematic under approval. Todo: PCB and parts fitting		Edition 1