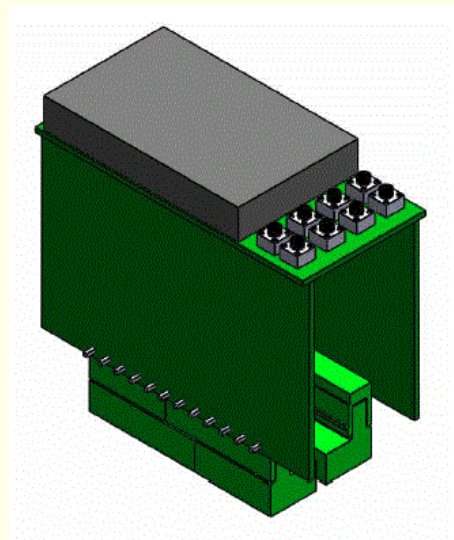


CON 1 Pinout

| | |
|----|-------------------|
| 01 | - +5V |
| 02 | - +5V |
| 03 | - USB +5V |
| 04 | - USB D+ |
| 05 | - USB D- |
| 06 | - (AD) SPI 2 CLK |
| 07 | - (AD) SPI 2 MOSI |
| 08 | - (AD) COM 4 RX |
| 09 | - MCLR |
| 10 | - (AD) COM 3 TX |
| 11 | - (AD) COM 3 RX |
| 12 | - (AD) COUNT |
| 13 | - (D5) PWM 2B |
| 14 | - (D5) I2C DAT |
| 15 | - (D5) I2C CLK |
| 16 | - (D5) SPI 2 MISO |
| 17 | - (D5) PWM 2A |
| 18 | - (D5) COM 4 TX |
| 19 | - GND |
| 20 | - GND |

CON 2 Pinout

| | |
|----|----------------------|
| 01 | - +5V |
| 02 | - +5V |
| 03 | - MCLR |
| 04 | - (AD) SPI 1 MOSI |
| 05 | - (AD) COM 2 TX |
| 06 | - (AD) COM 2 RX |
| 07 | - (AD) COM 1 TX |
| 08 | - (AD) |
| 09 | - (AD) |
| 10 | - (AD) COM 1 ENA |
| 11 | - (AD) |
| 12 | - (D5) SPI 1 MISO |
| 13 | - (AD) SPI 1 CLK |
| 14 | - (AD) COUNT/WAKE/IR |
| 15 | - (D5) COUNT |
| 16 | - (D5) KBD CLK |
| 17 | - (D5) KBD DAT |
| 18 | - (D5) COM 1 RX |
| 19 | - GND |
| 20 | - GND |



| | | |
|---|--------------------------------------|----------------|
| MicroMite Programmable DIN Panel Instrument | | |
| PIC32MX MPU COLOR LCD HMI ENGINE PCB | | |
| Designed by: Zonker | Sunday, November 12, 2017 - 11:49 PM | |
| Checked by: | Doc. No: | Revision: 1:73 |
| Approved by: | Sheet: Schematic | Size: A |

89.4 mm

41 mm

