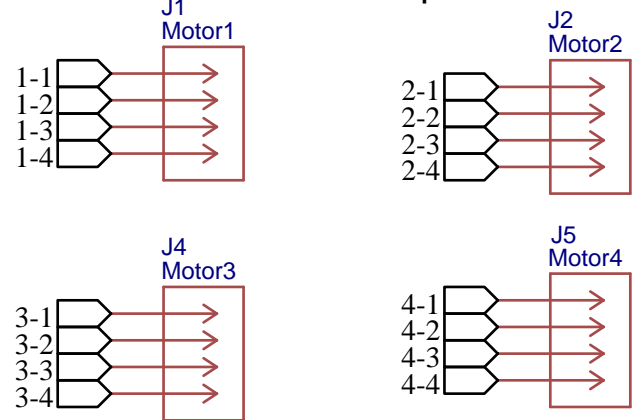


Motor Outputs



TITLE: STM32L432 Gauge Controller AX1201728SG		REV: 1.01
Date: 04-11-2020		Sheet: 1/1
EasyEDA V5.6.10		Drawn By: Lewis

USB Input and Battery controller