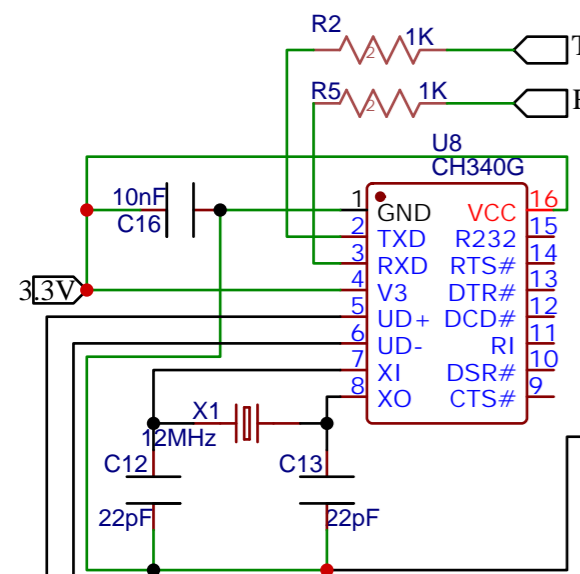
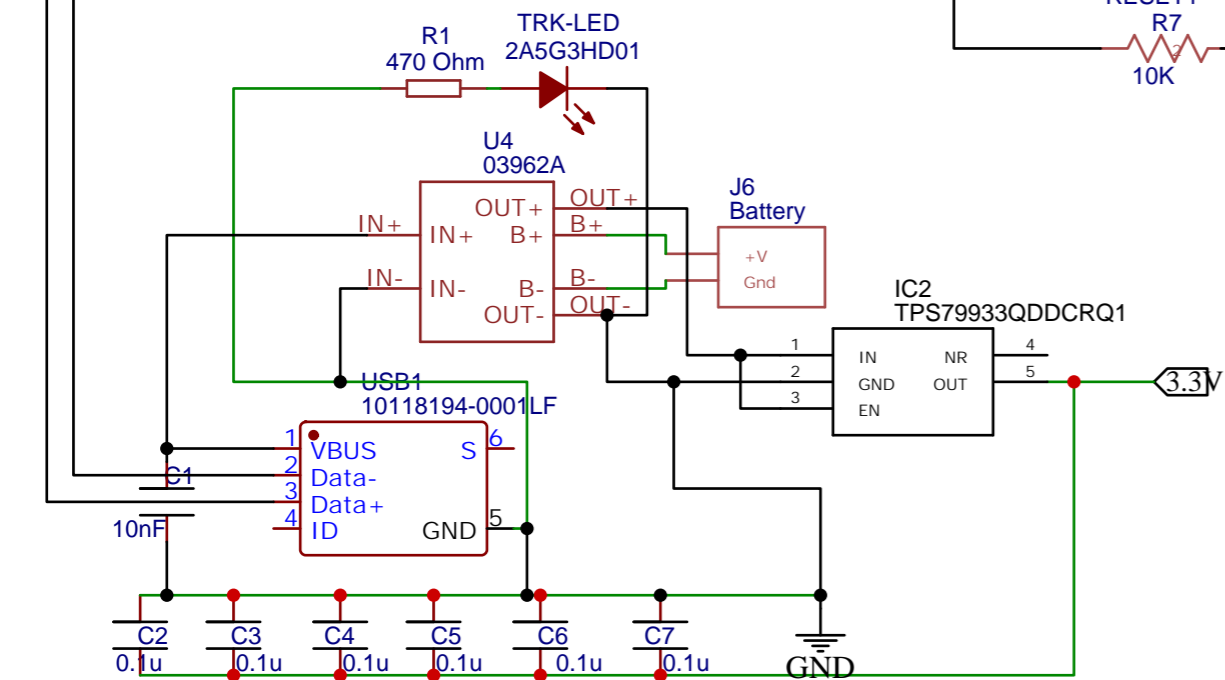


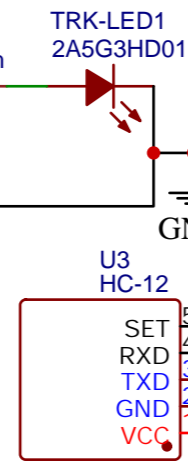
5V Boost Controller board



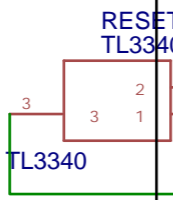
USB-UART



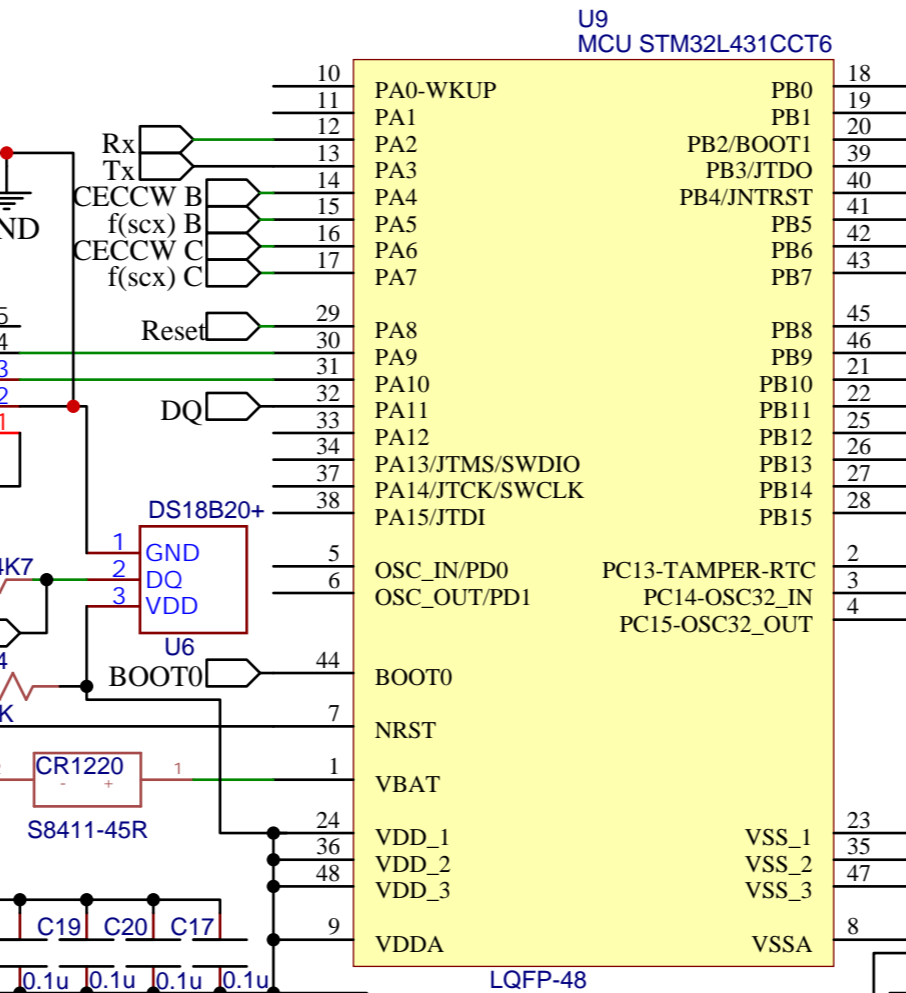
USB Input and Battery controller



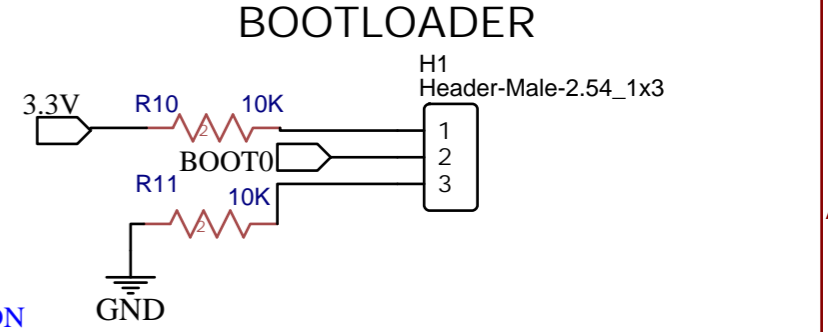
HC-12



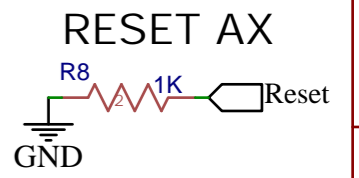
RESET



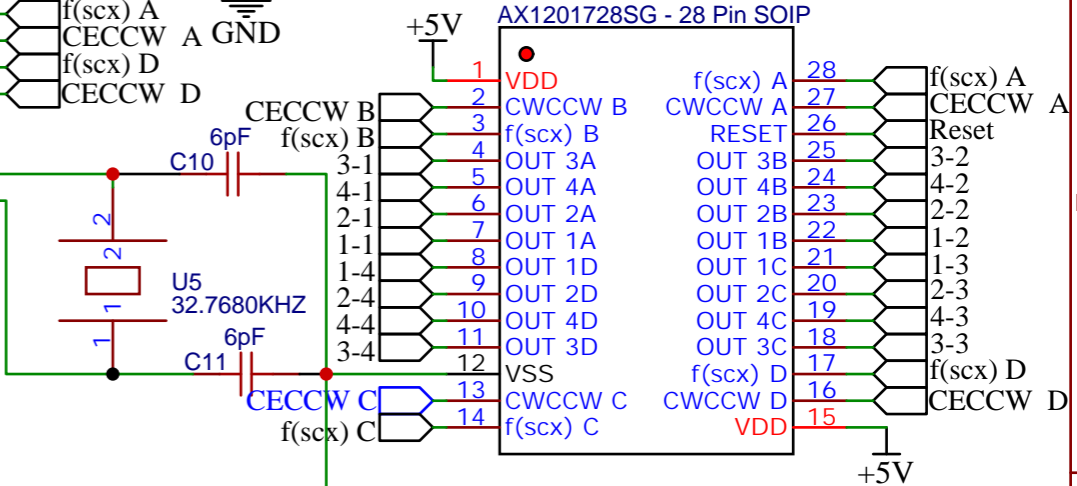
ARMMITE



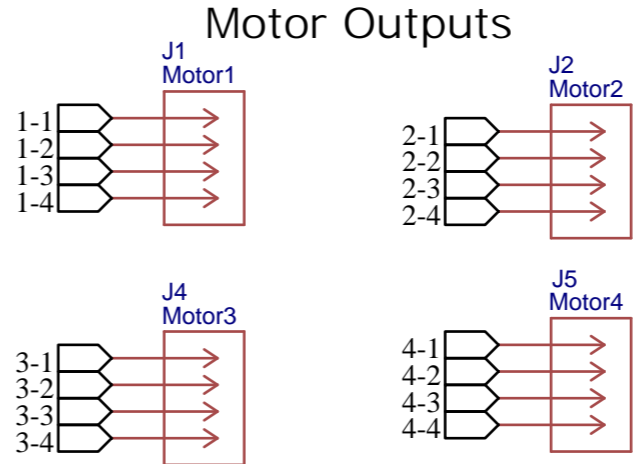
BOOTLOADER



RESET AX



AX1201728SG Stepper Controller



Motor Outputs

TITLE: STM32L432 Gauge Controller AX1201728SG		REV: 1.03
Date: 04-11-2020		Sheet: 1/1
EasyEDA V5.6.10		Drawn By: Lewis