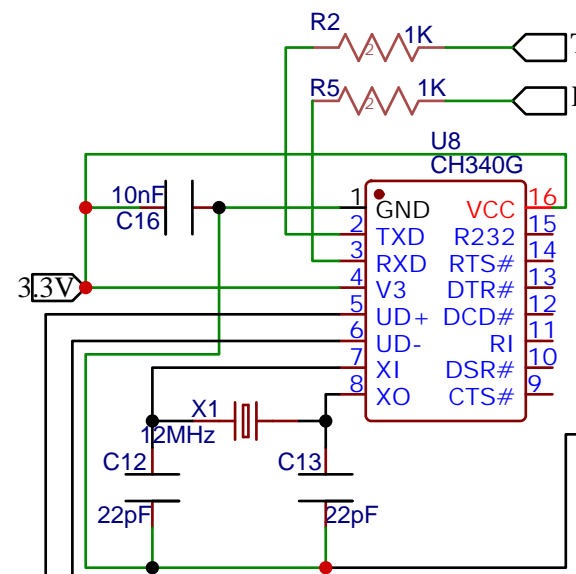
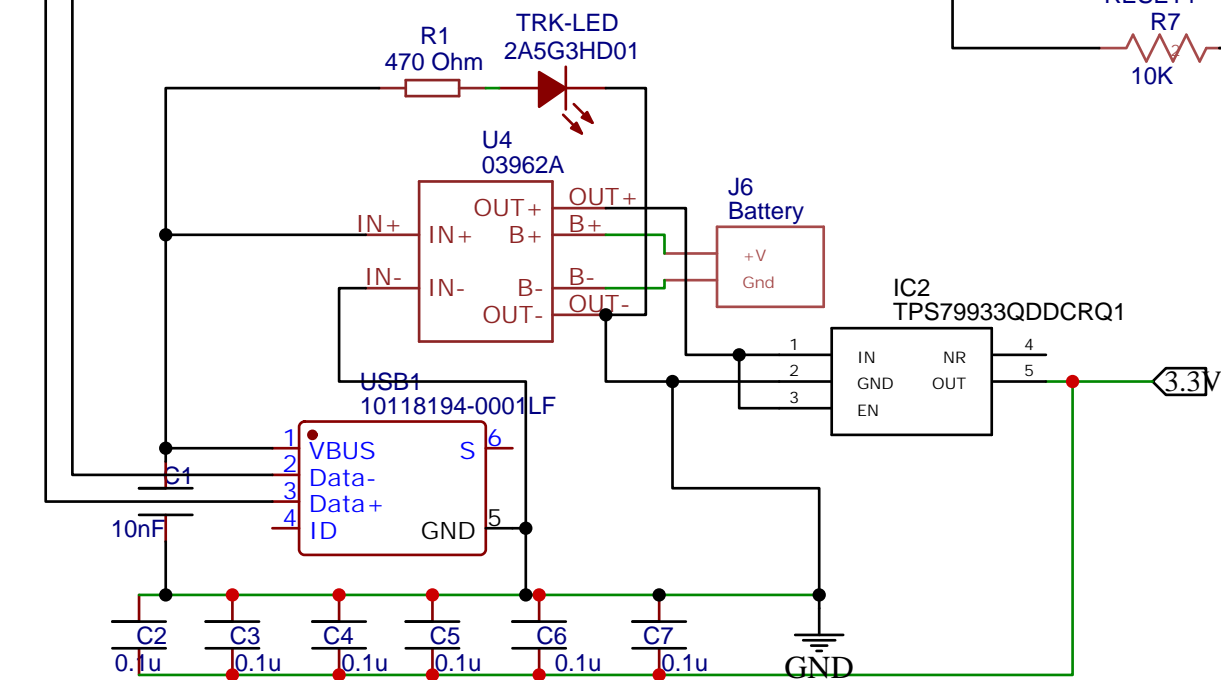


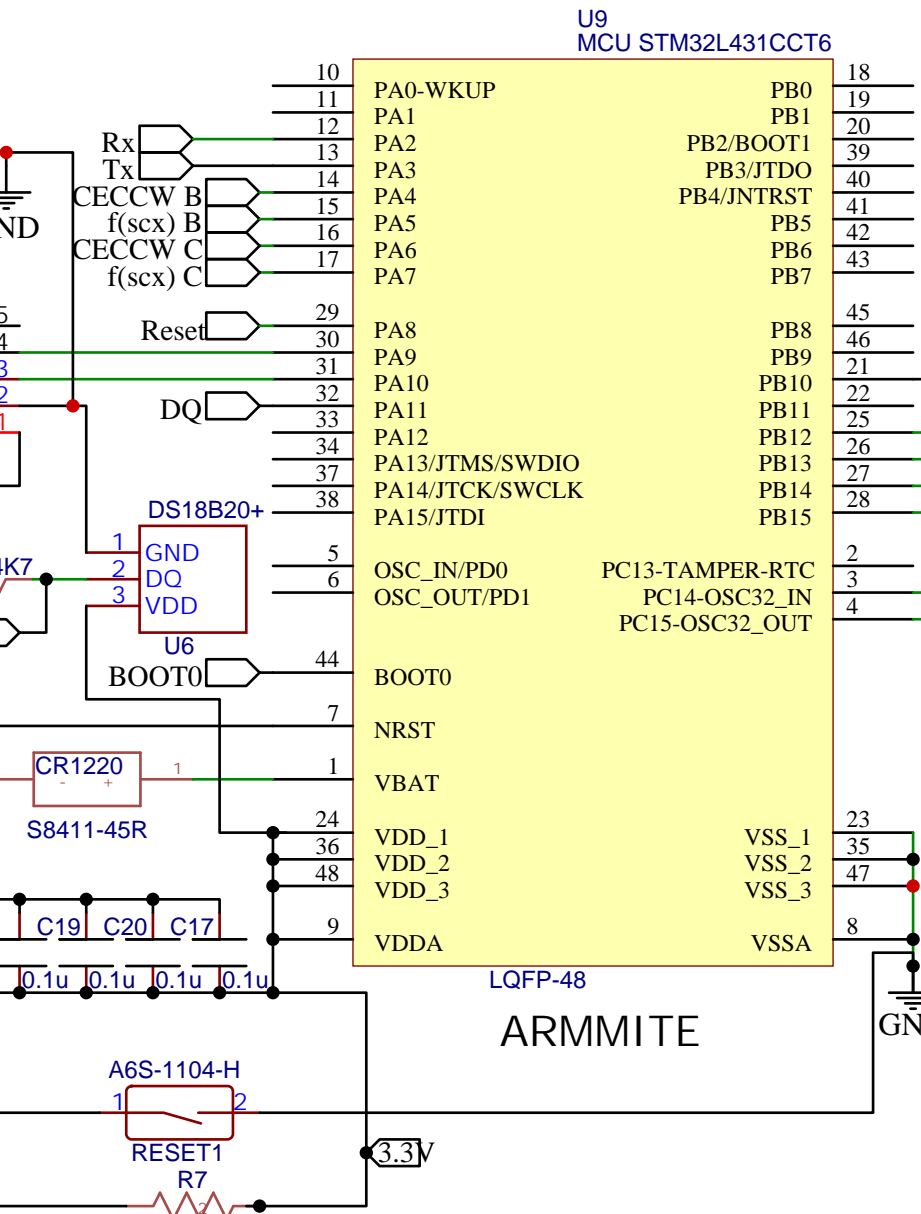
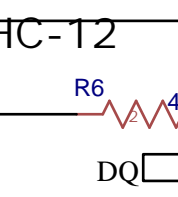
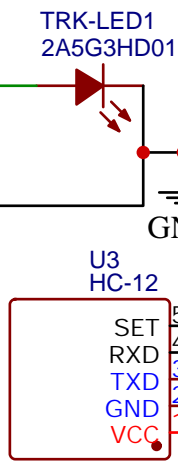
5V Boost Controller board



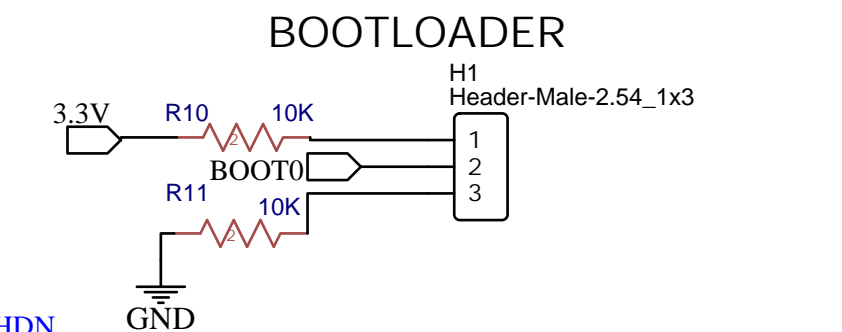
USB-UART



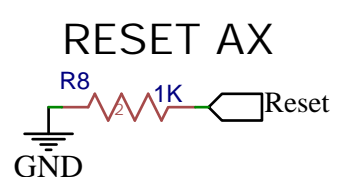
USB Input and Battery controller



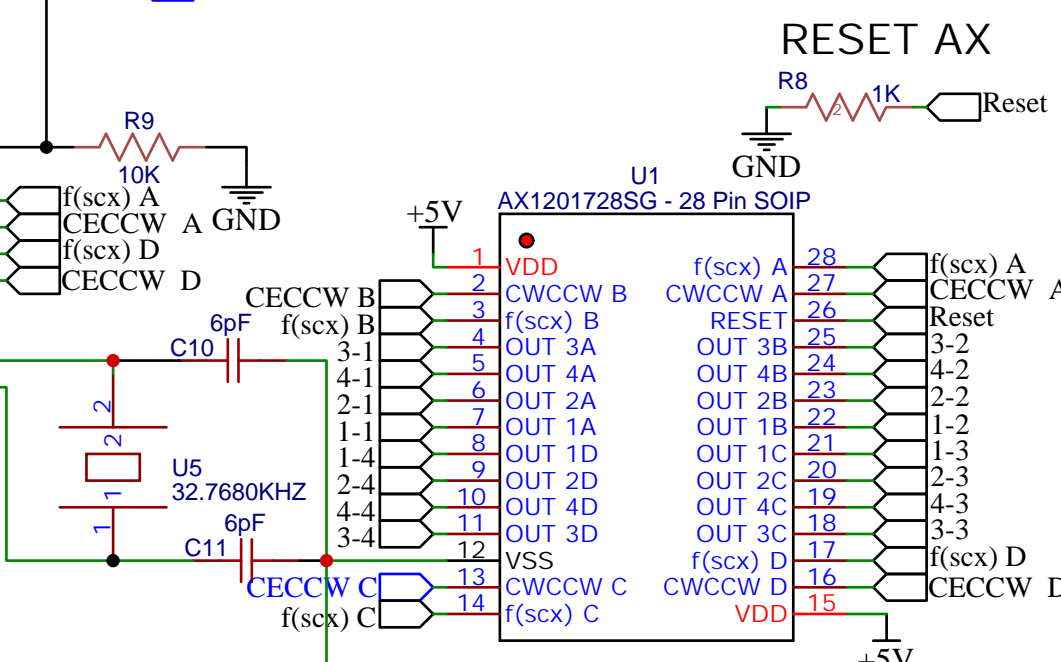
ARMMITE



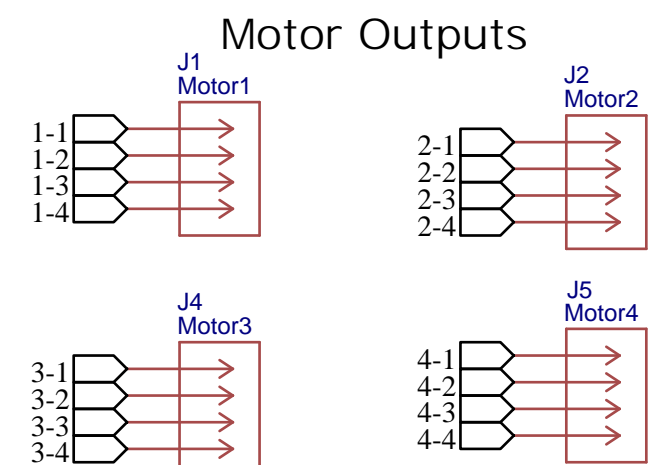
BOOTLOADER



RESET AX



AX1201728SG Stepper Controller



Motor Outputs

| | | |
|--|--|-----------------|
| TITLE: STM32L432 Gauge Controller AX1201728SG | | REV: 1.03 |
| Date: 04-11-2020 | | Sheet: 1/1 |
| EasyEDA V5.6.10 | | Drawn By: Lewis |