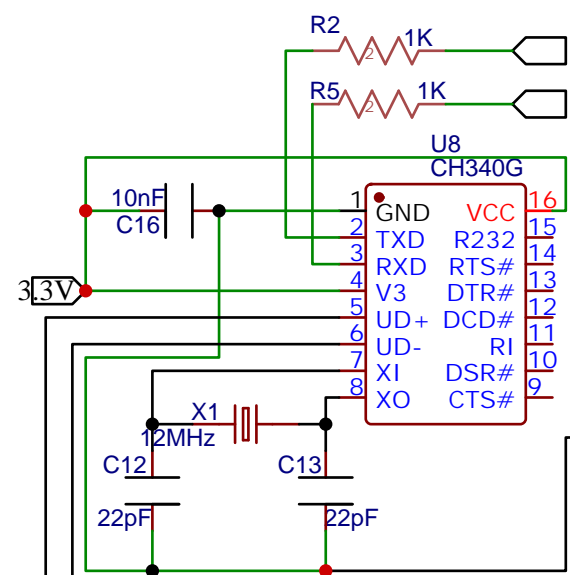
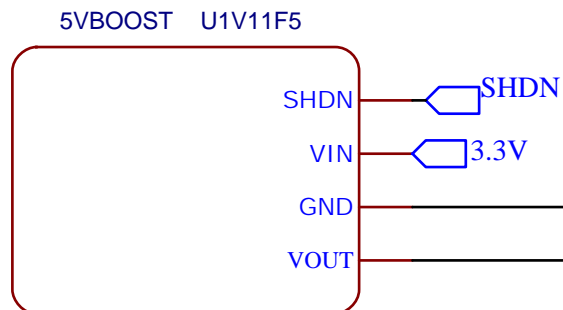
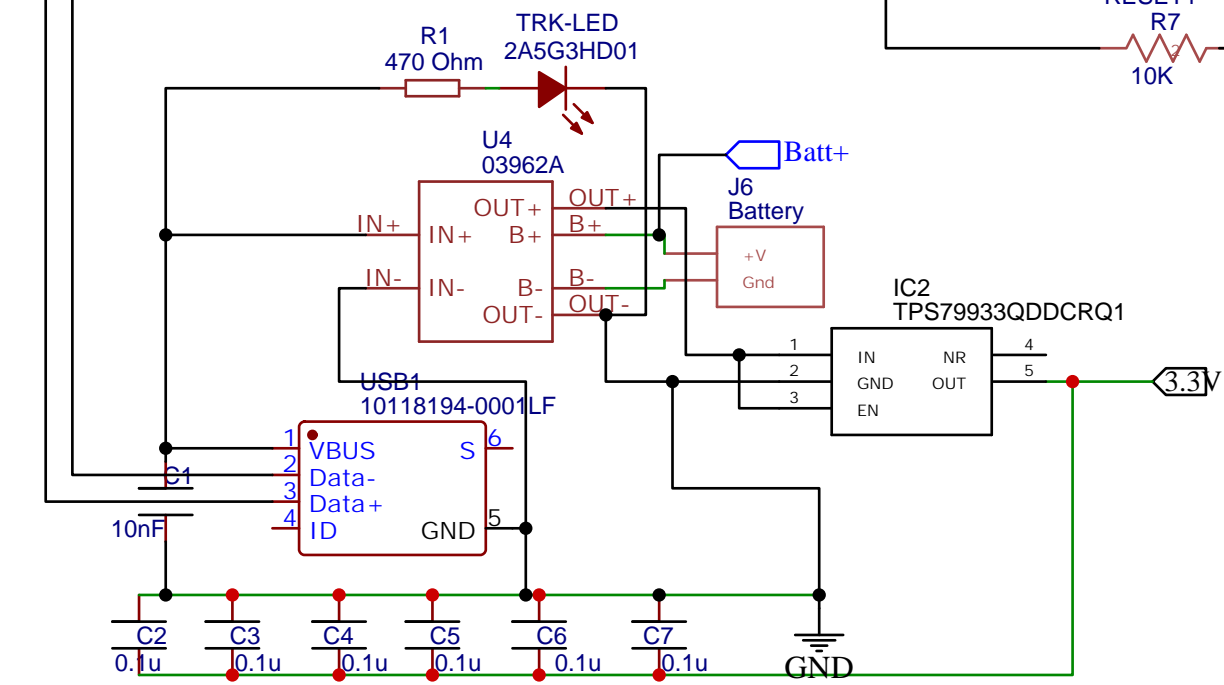


### 5V Boost Controller board

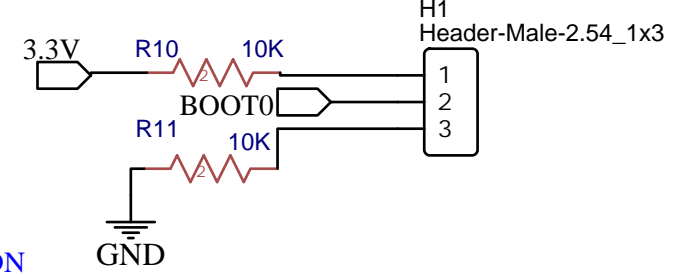


### USB-UART

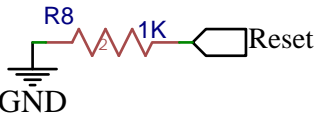


### USB Input and Battery controller

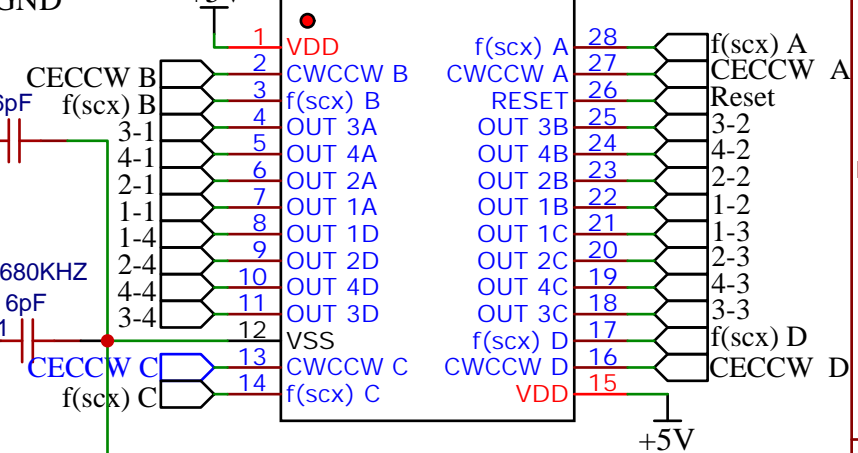
### BOOTLOADER



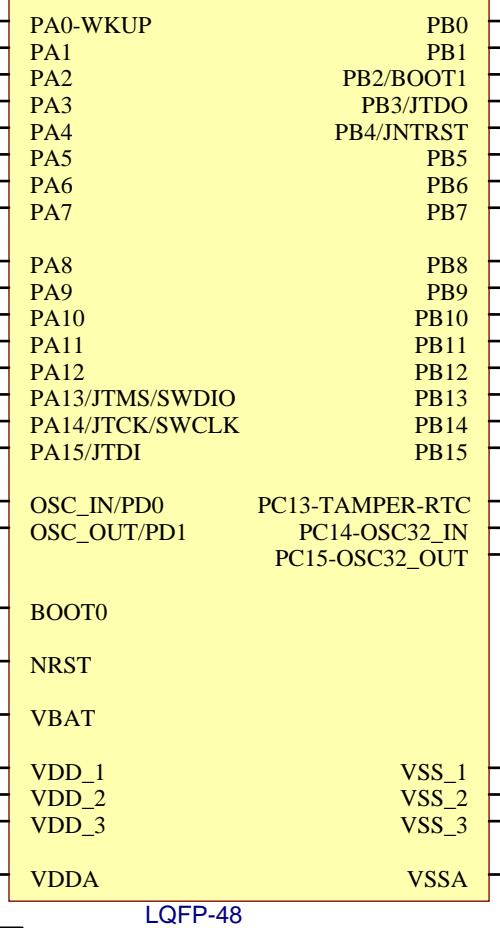
### RESET AX



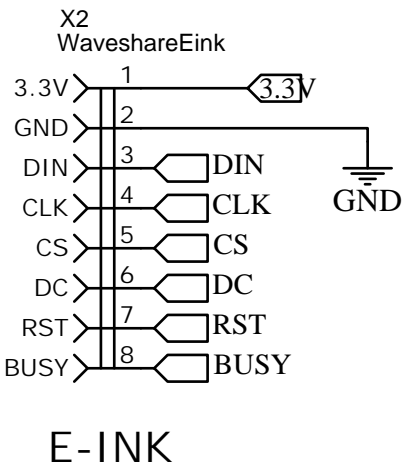
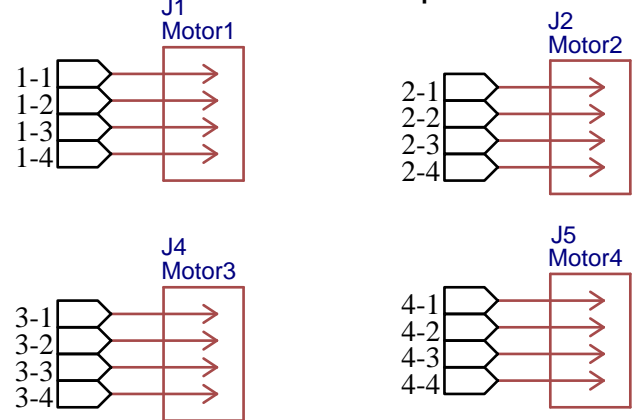
### AX1201728SG Stepper Controller



### ARMRITE



### Motor Outputs



### E-INK

TITLE: STM32L432 Gauge Controller AX1201728SG		REV: 1.1
Date: 04-11-2020		Sheet: 1/1
EasyEDA V5.6.10		Drawn By: Lewis