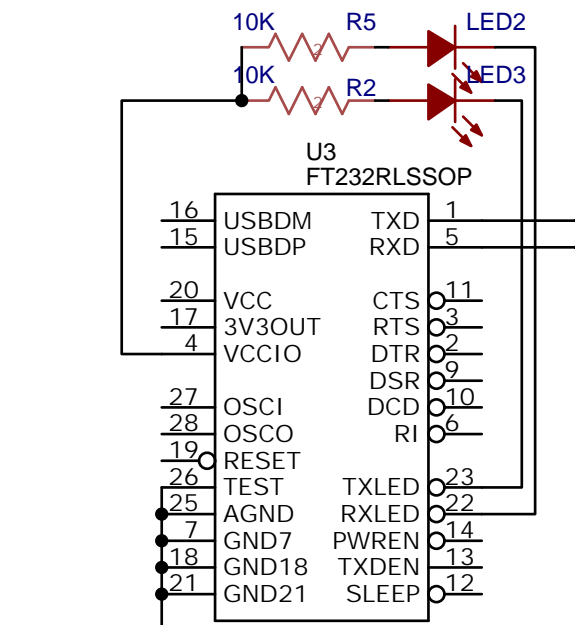
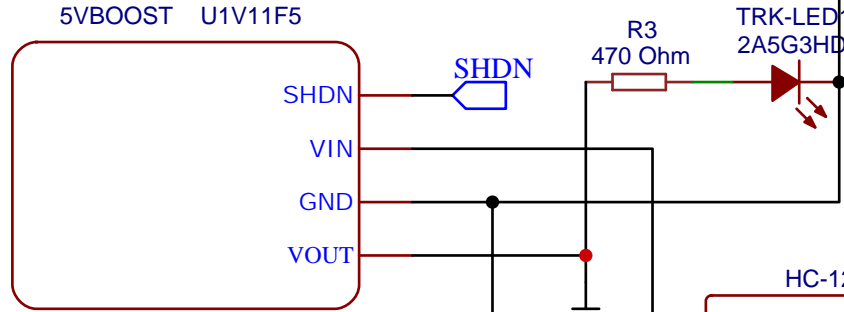
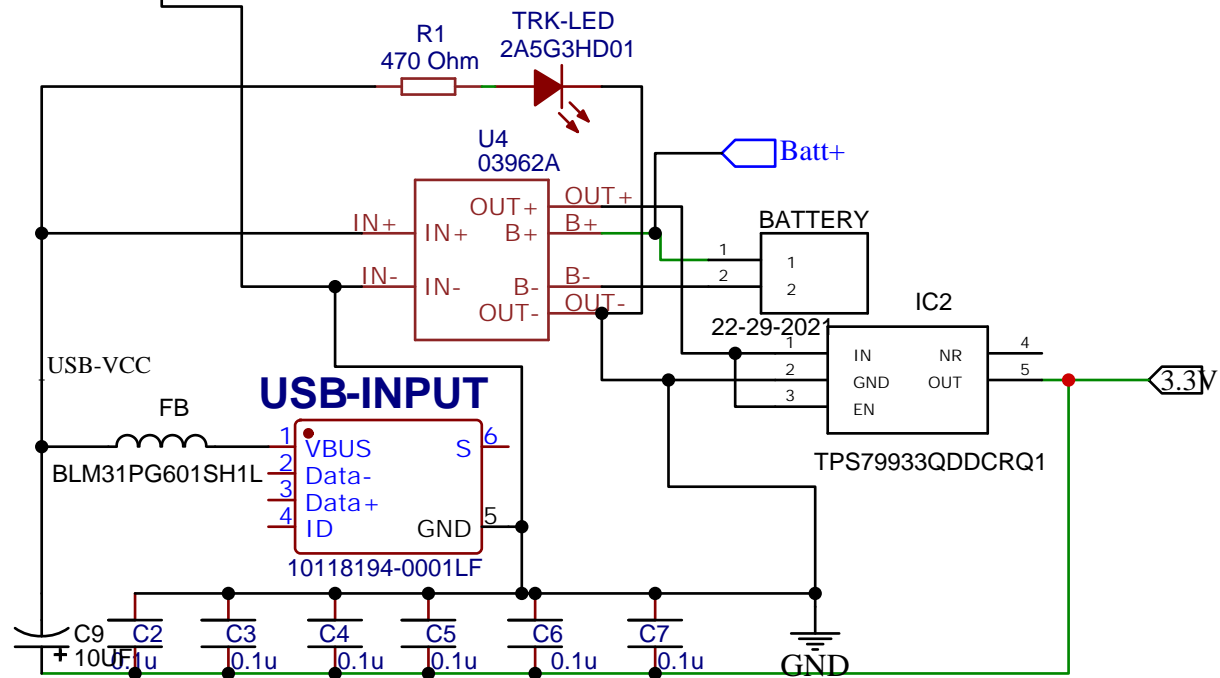


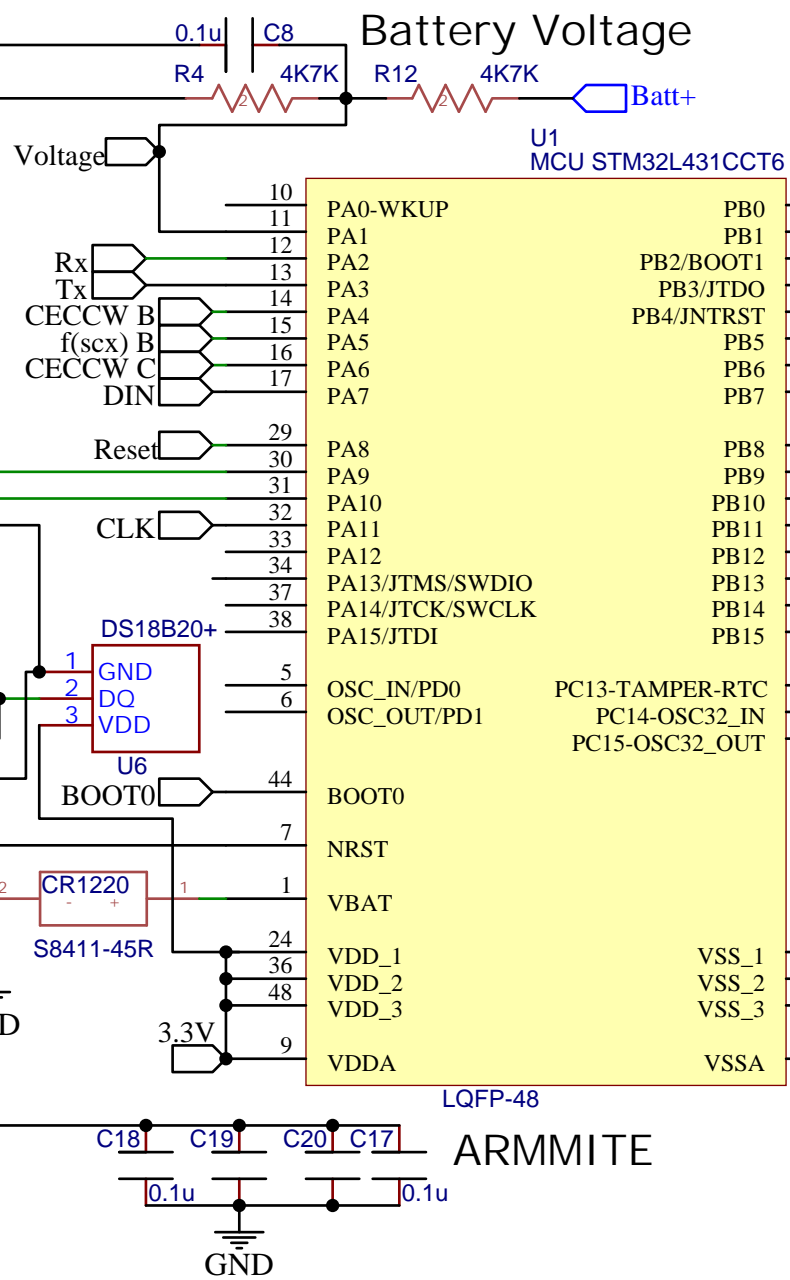
5V Boost Controller board



FT232RL USB - UART

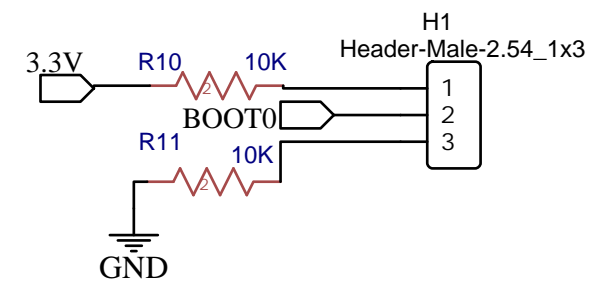


USB Input and Battery controller

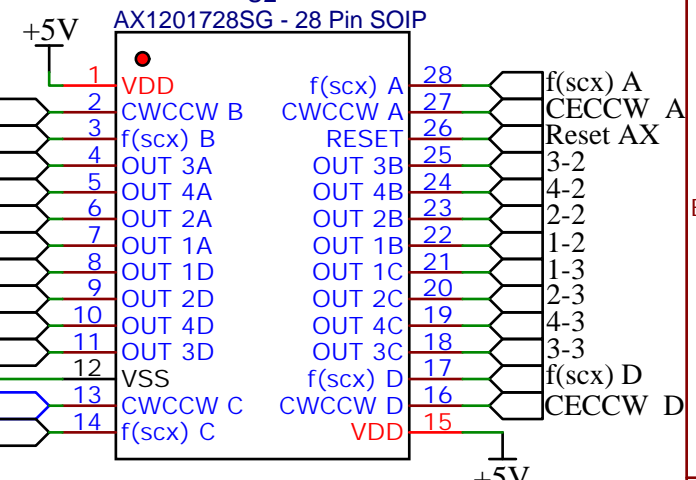
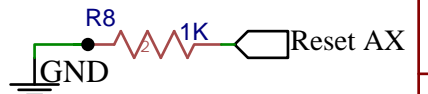


Battery Voltage

BOOTLOADER

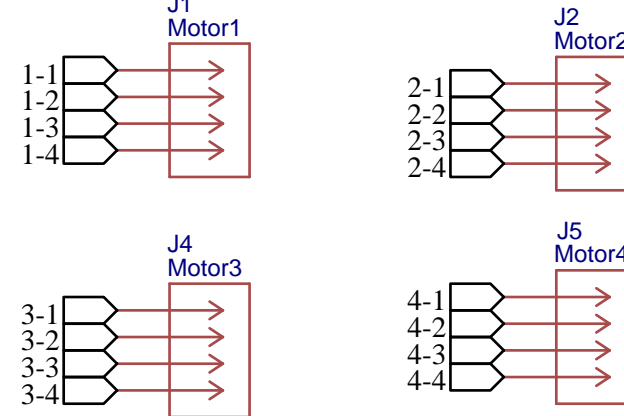


RESET AX

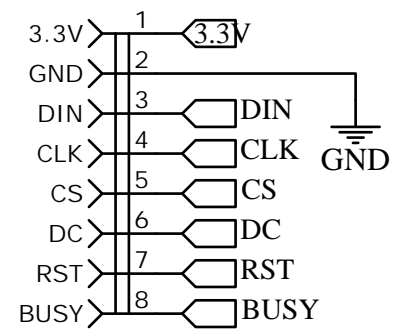


AX1201728SG Stepper Controller

Motor Outputs



Waveshare 2.9in e-Paper



E-INK

TITLE: STM32L432 Gauge Controller AX1201728SG		REV: 1.5
Date: 05-11-2020		Sheet: 1/1
EasyEDA V5.6.10		Drawn By: Lewis