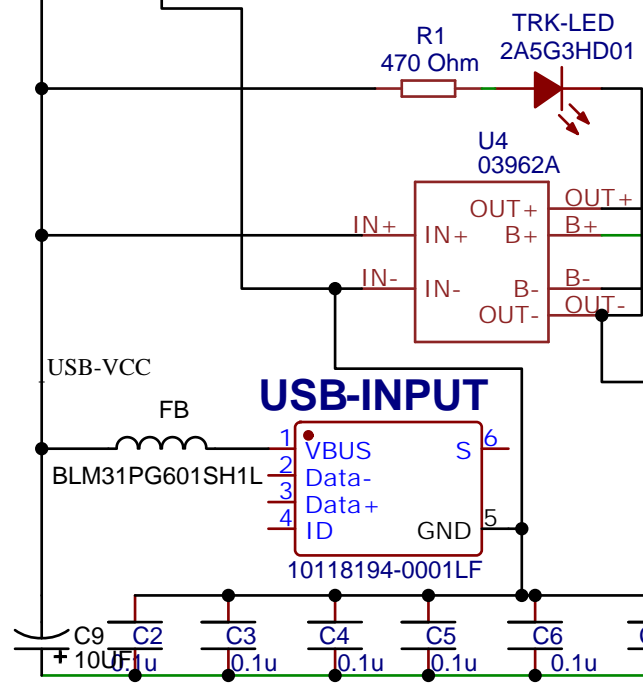
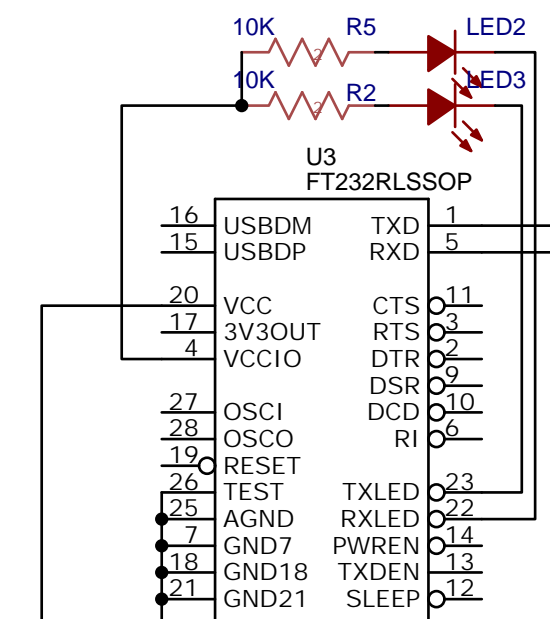
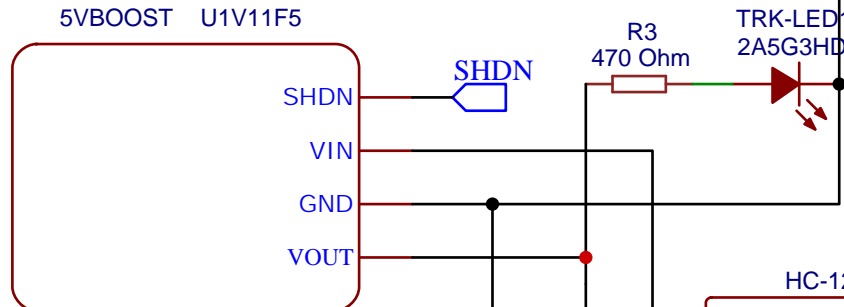
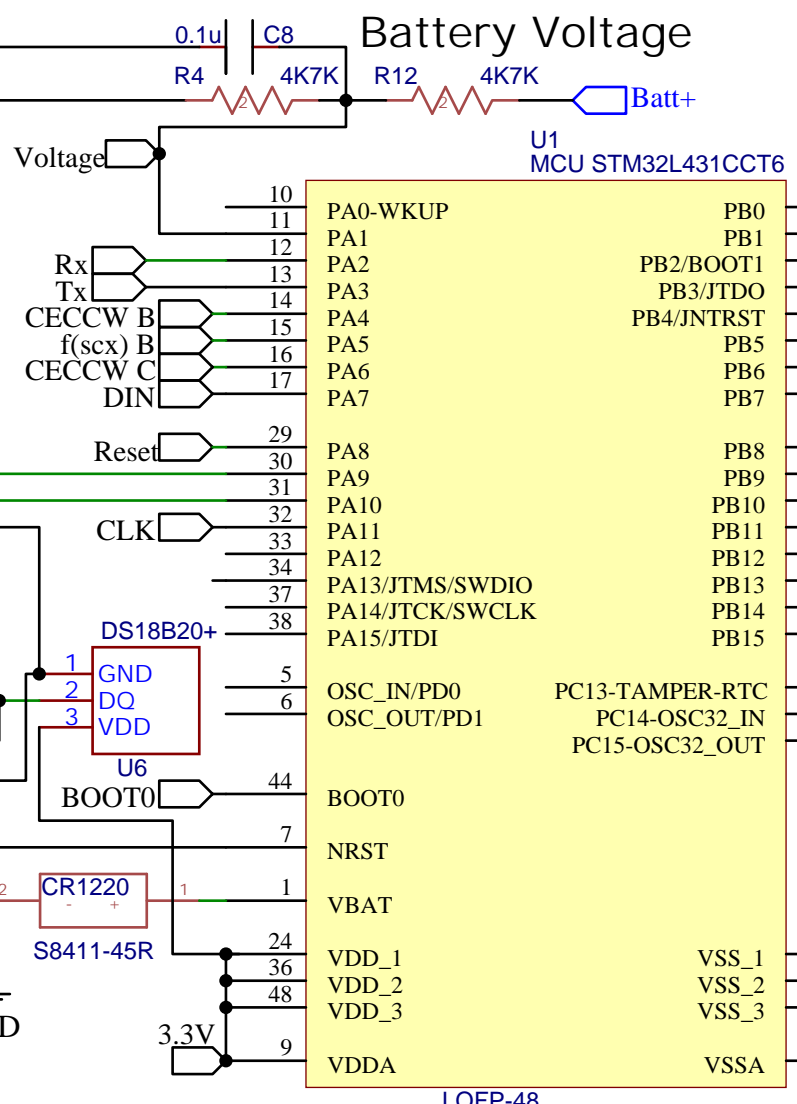


### 5V Boost Controller board



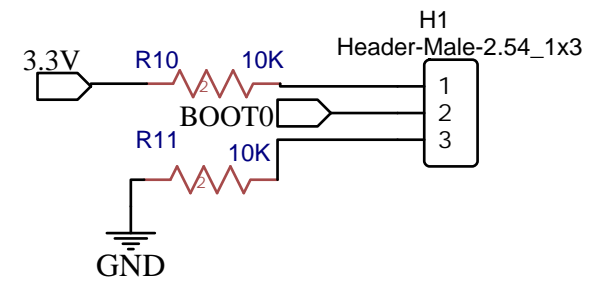
### USB Input and Battery controller



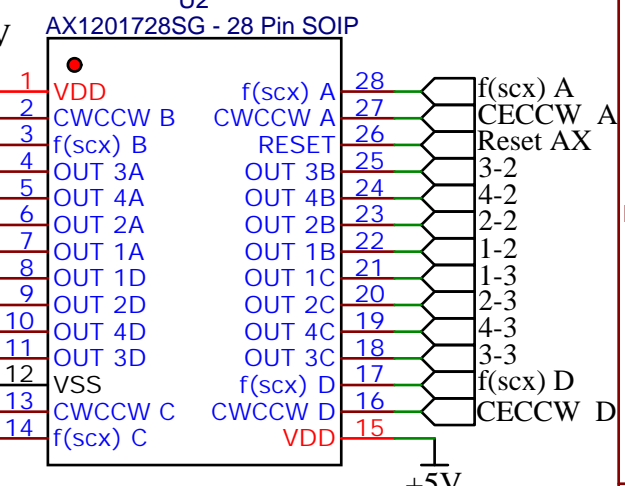
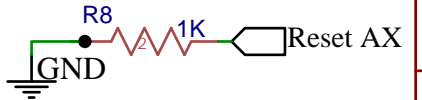
### Battery Voltage



### BOOTLOADER

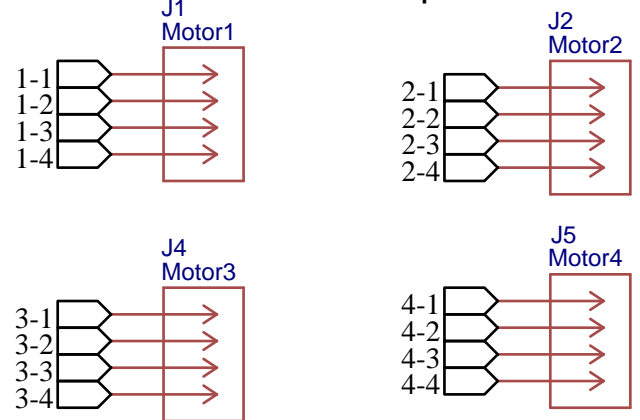


### RESET AX

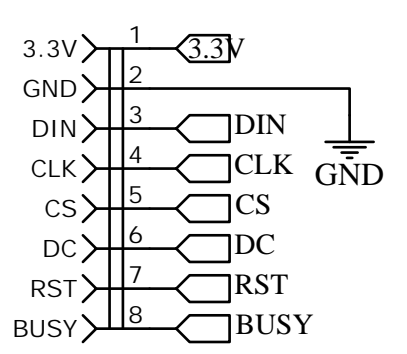


### AX1201728SG Stepper Controller

### Motor Outputs



### Waveshare 2.9in e-Paper



### E-INK

|   |  |                 |
|---|--|-----------------|
| TITLE: STM32L432 Gauge Controller AX1201728SG |  | REV: 1.51       |
| Date: 05-11-2020                              |  | Sheet: 1/1      |
| EasyEDA V5.6.10                               |  | Drawn By: Lewis |