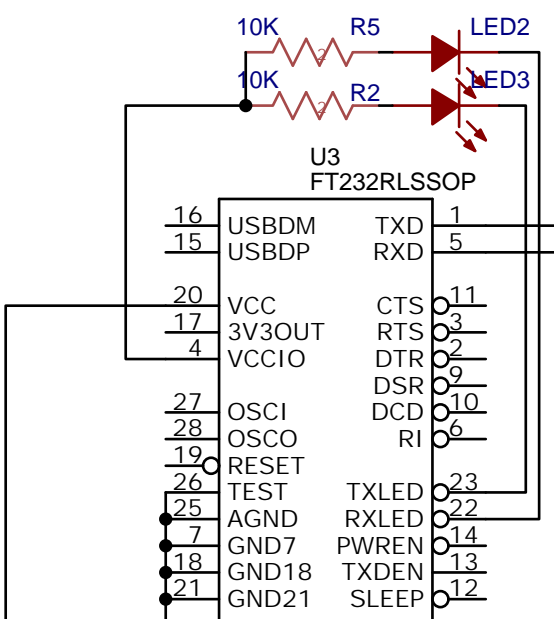
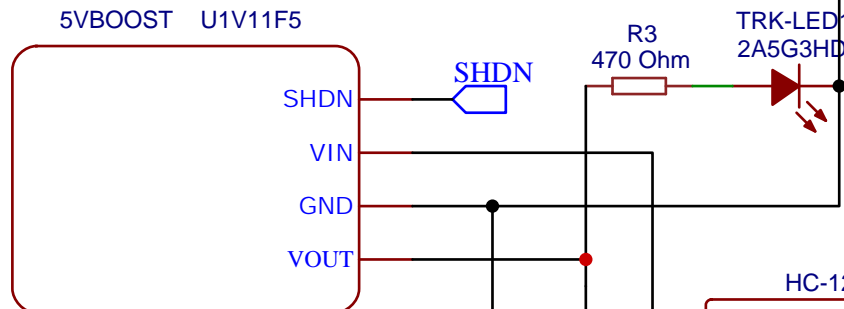
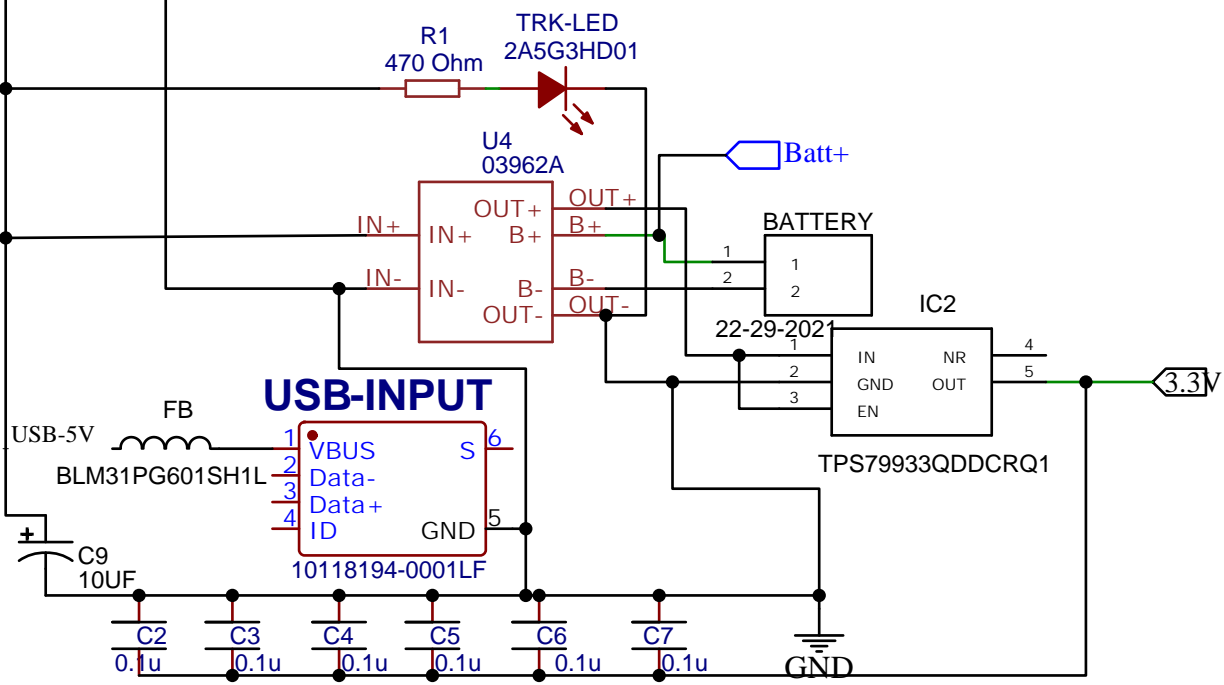


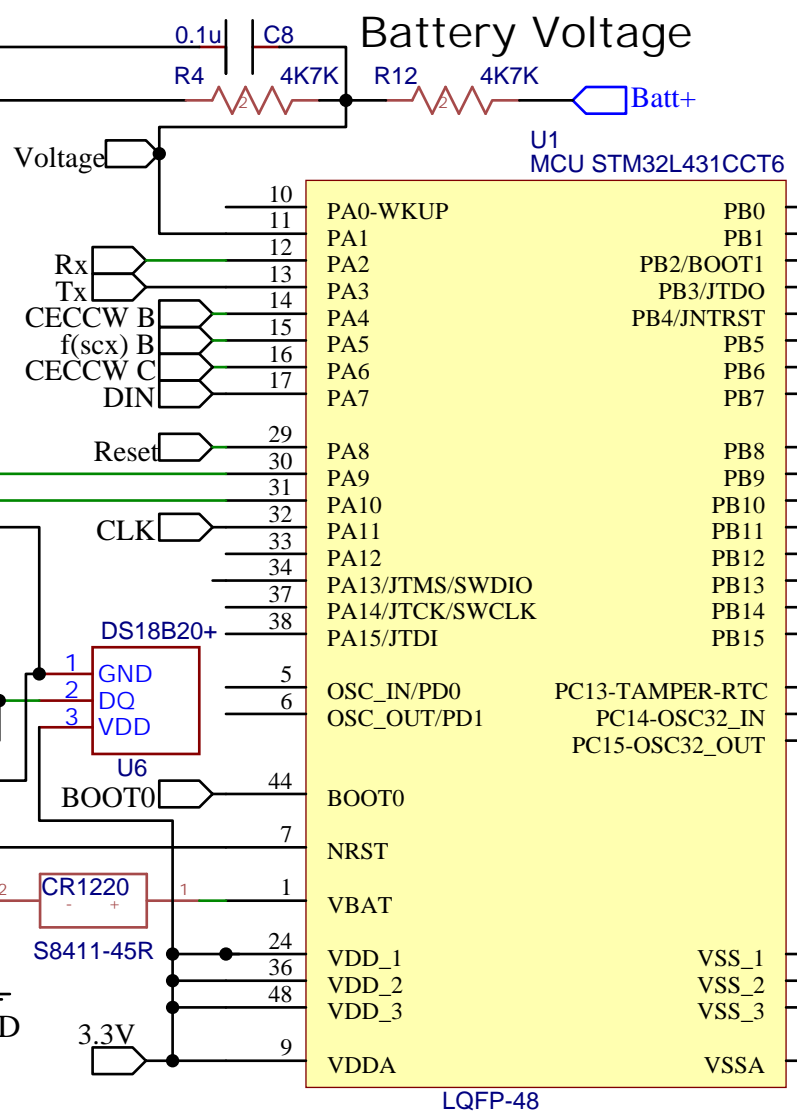
### 5V Boost Controller board



### FT232RL USB - UART

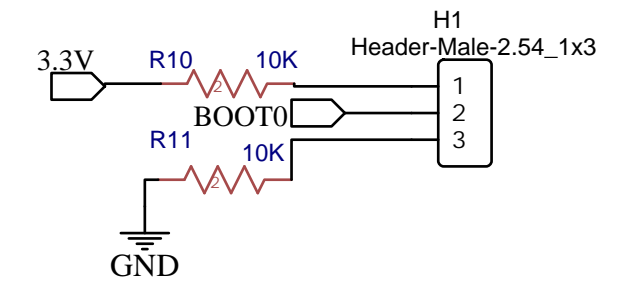


### USB Input and Battery controller

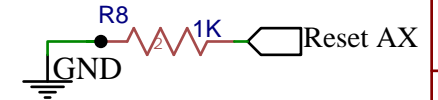


### ARMITE

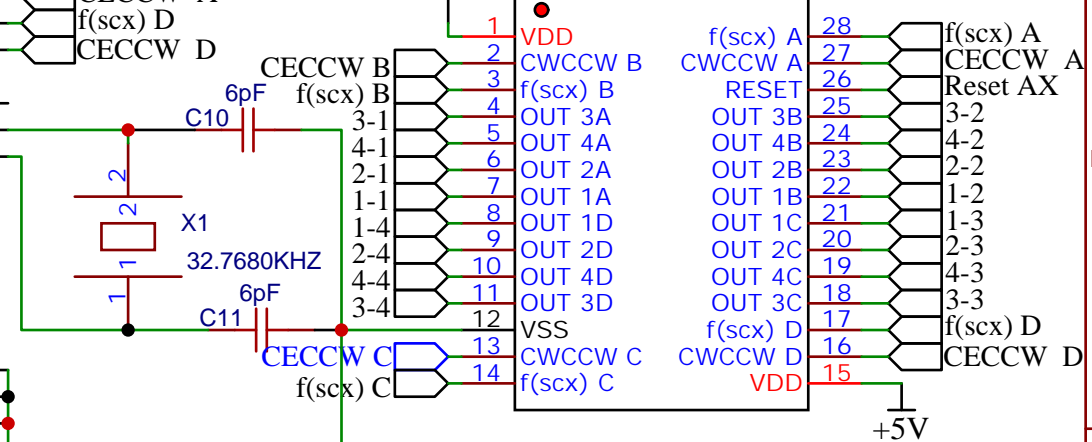
### BOOTLOADER



### RESET AX

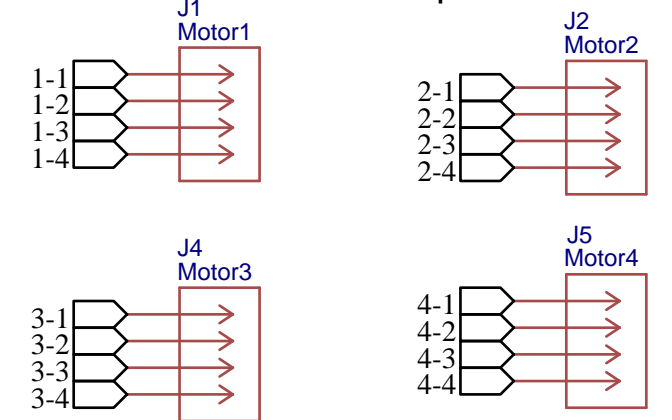


### AX1201728SG - 28 Pin SOIP

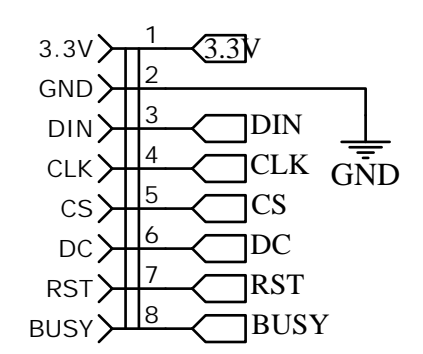


### AX1201728SG Stepper Controller

### Motor Outputs



### Waveshare 2.9in e-Paper



### E-INK

TITLE: STM32L432 Gauge Controller AX1201728SG		REV: 1.51
Date: 05-11-2020		Sheet: 1/1
EasyEDA V5.6.10		Drawn By: Lewis