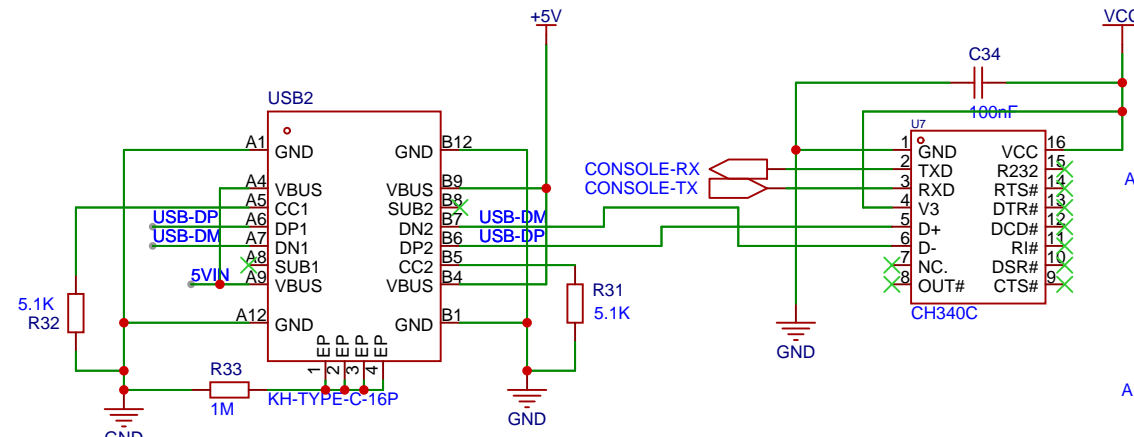
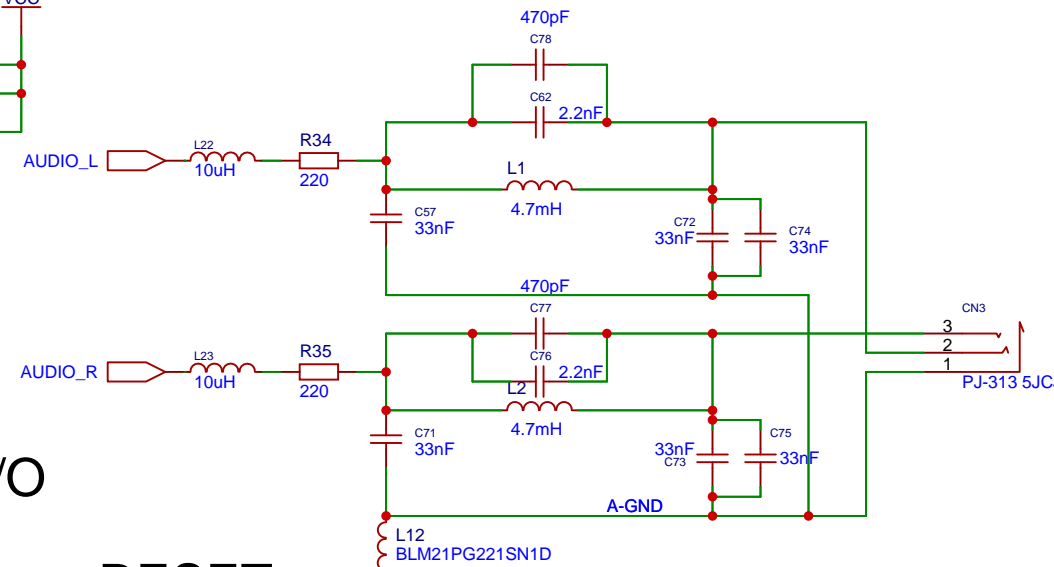


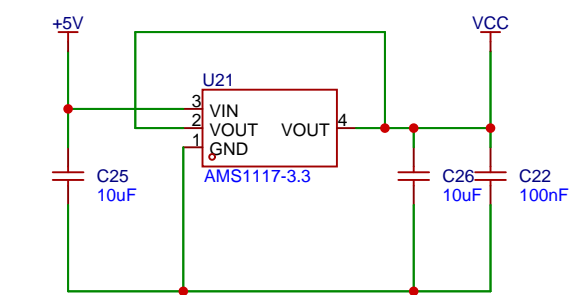
USB CONSOLE



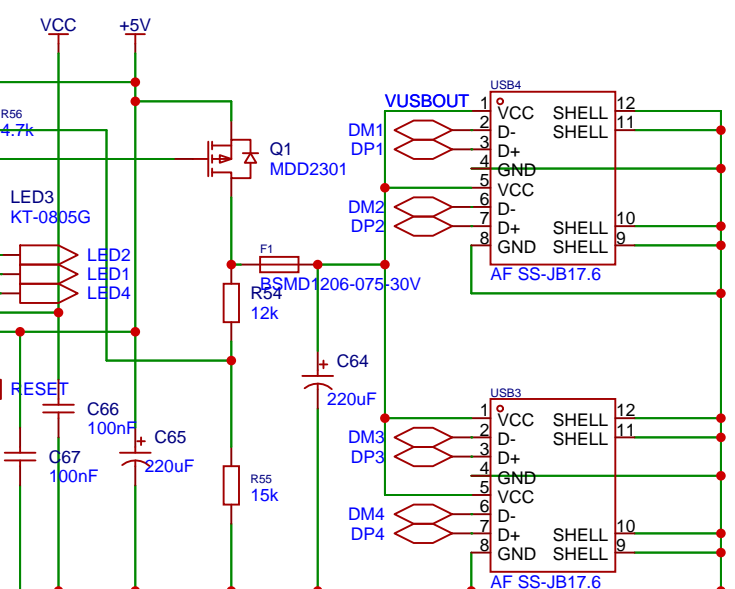
AUDIO



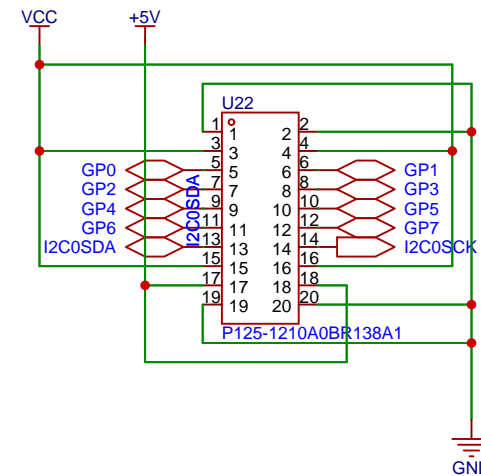
POWER



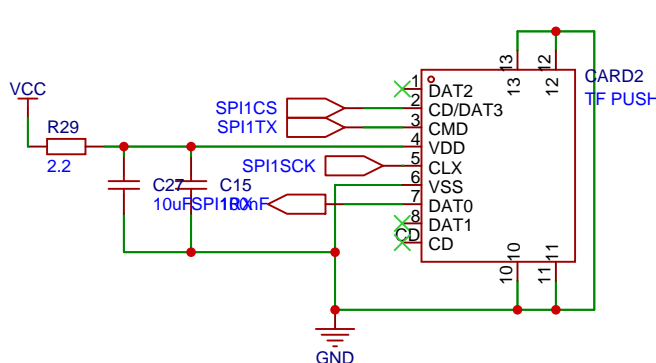
USB HUB



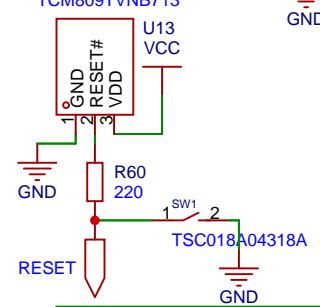
EXTERNAL I/O



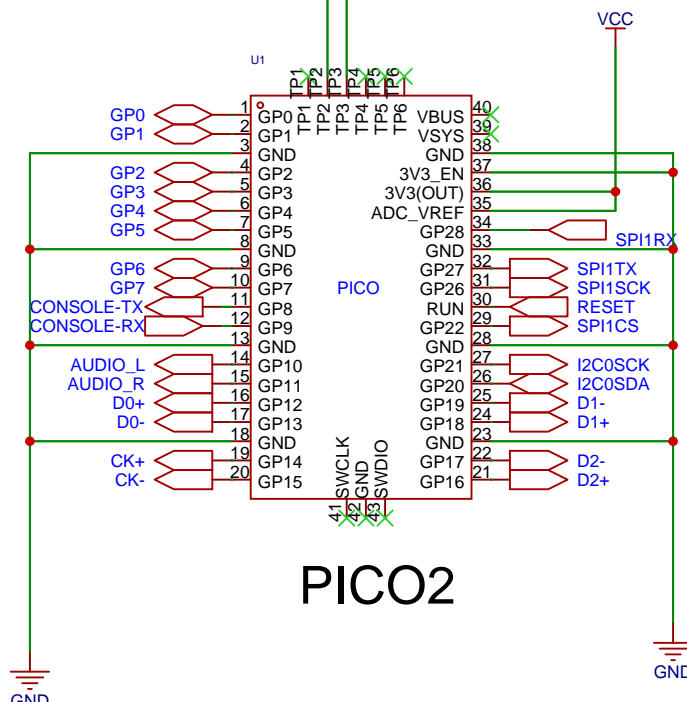
SDCARD



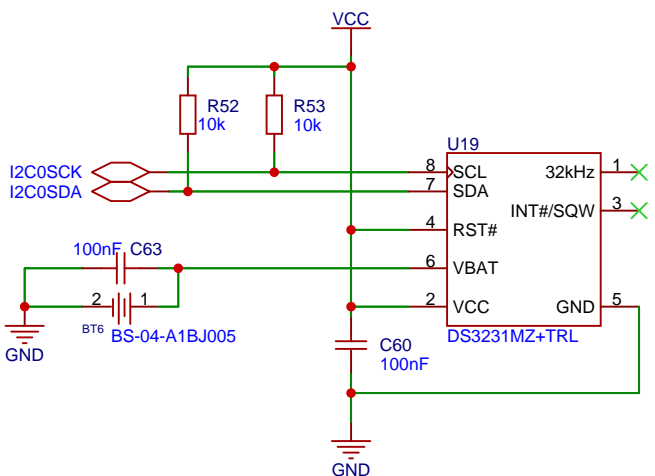
RESET



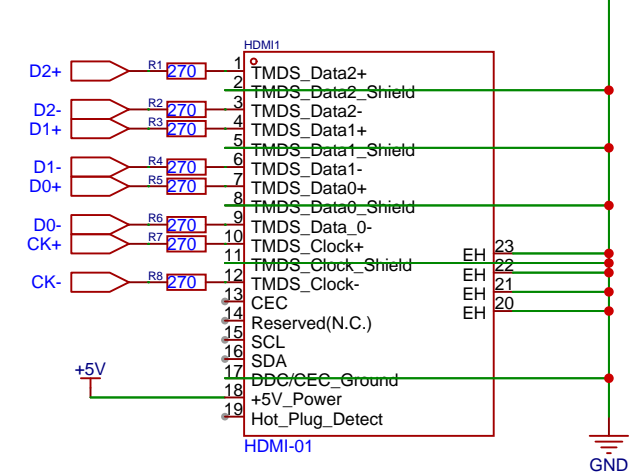
PICO2



RTC



HDMI



Schematic	Schematic1		Update Date	2024-09-13	
Page	P1		Create Date	2024-09-13	
Drawn	EasyEDA	PicoUSBMotherboard	Part Number	JLCPCB-002	
Reviewed	EasyEDA				
			VER	SIZE	PAGE 1 OF 1
			V0.1	A4	EasyEDA.com

