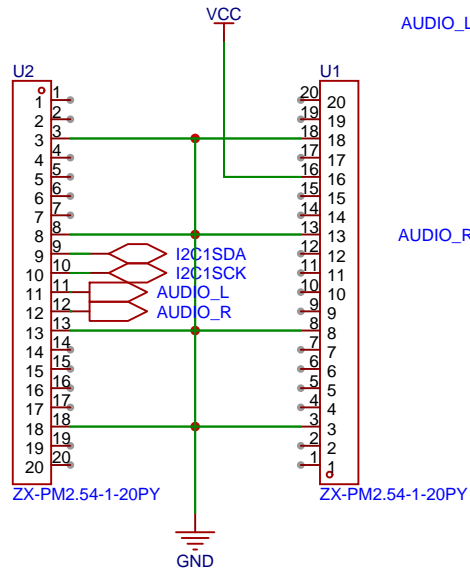
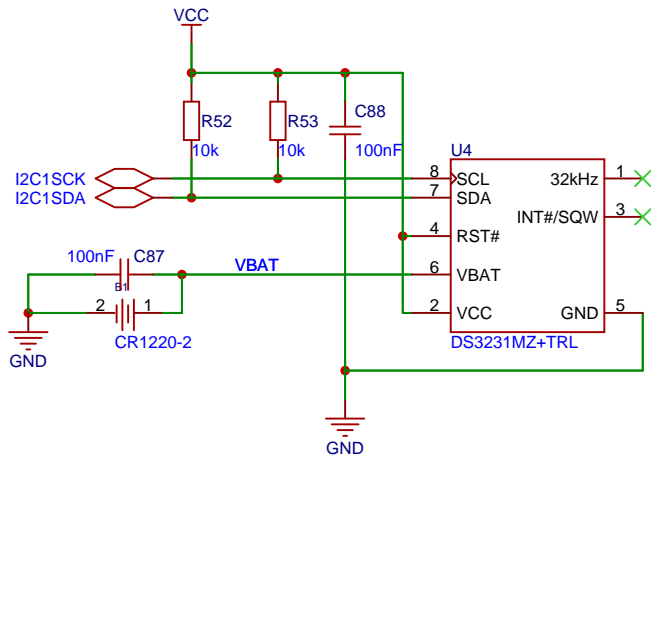
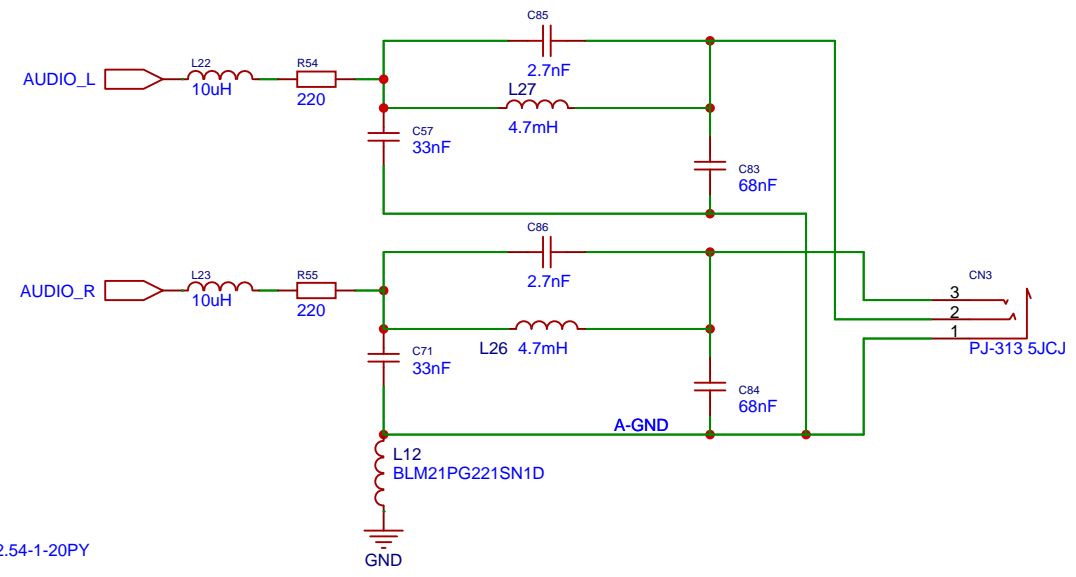


# RTC



# AUDIO



Schematic	Schematic1			Create at	2025-01-11
Board	Board1			Update at	2025-01-11
Drawn				Page	P1
Reviewed				PicoDiskRTC	
				Version	Size
				V1.0	A4
				Page 1 Total 1	
				EasyEDA.com	