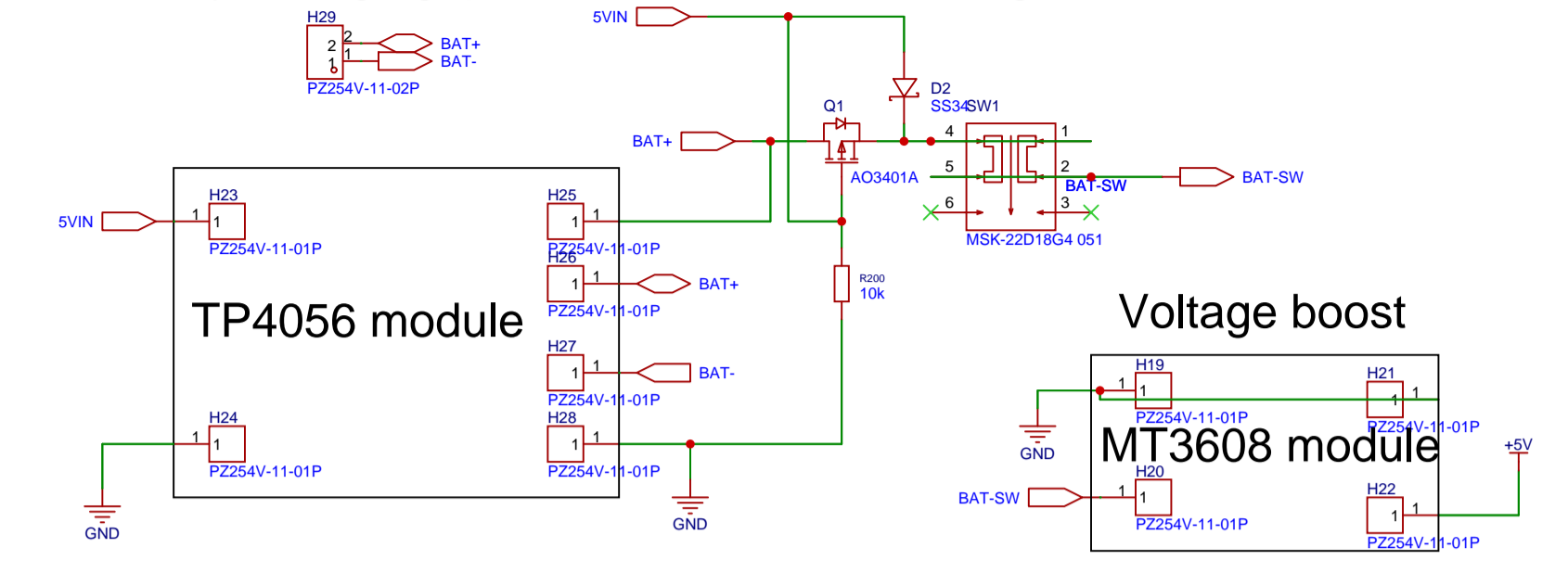
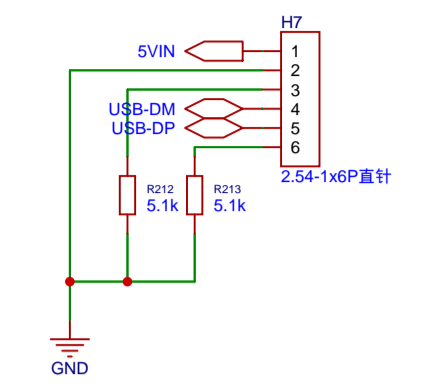


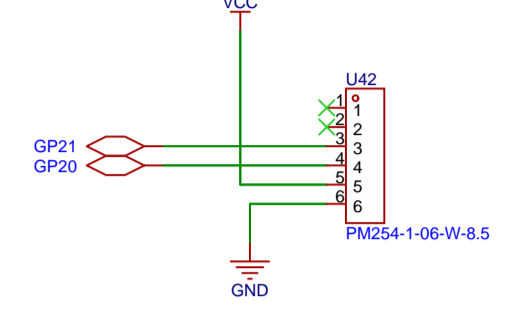
Battery Charging, protection and load sharing



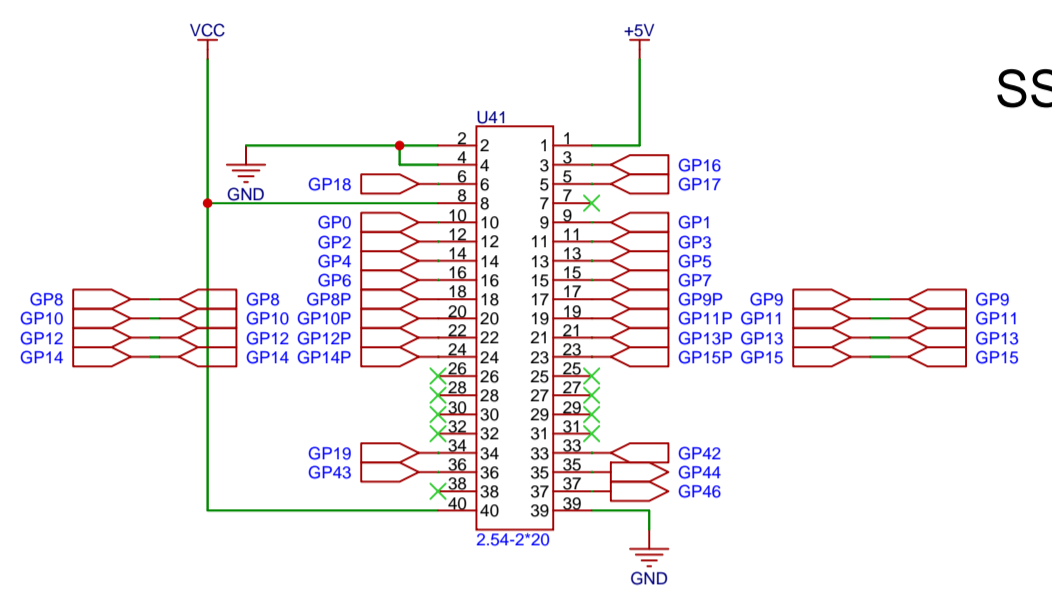
USB CONSOLE



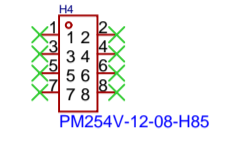
RTC



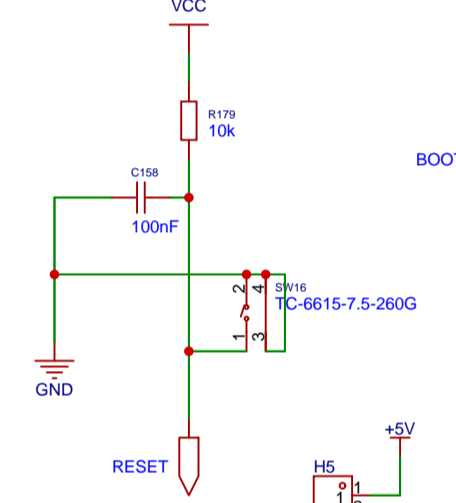
SSD1963 + XPT2046



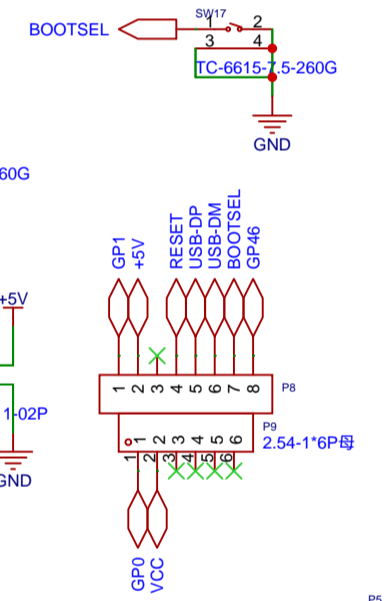
SSD1963 SD



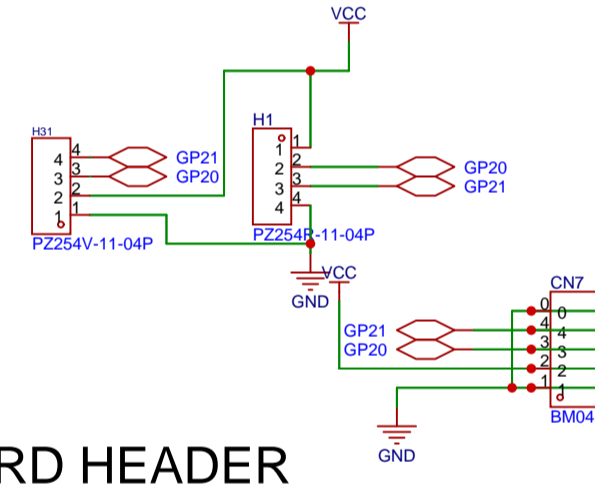
RESET



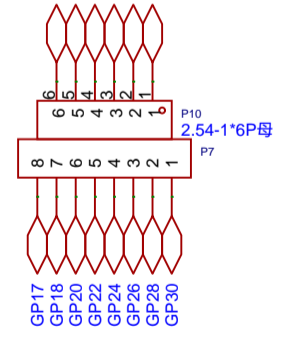
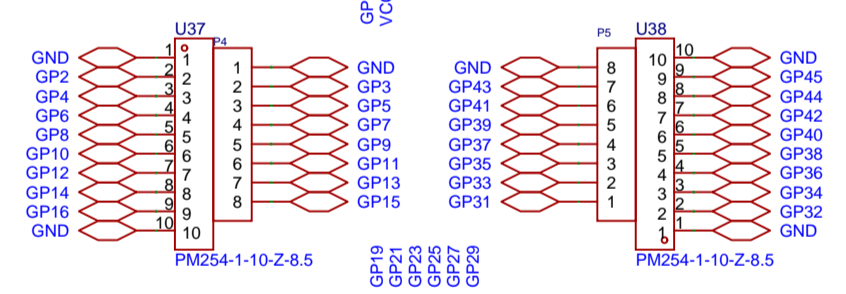
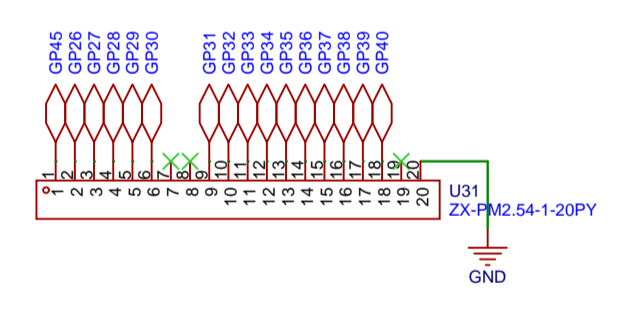
BOOT



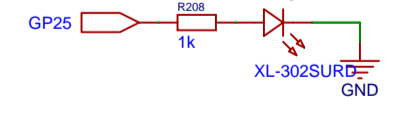
I2C HEADER



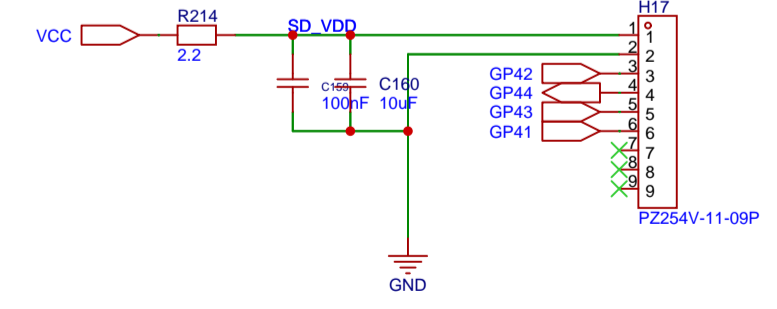
KEYBOARD HEADER



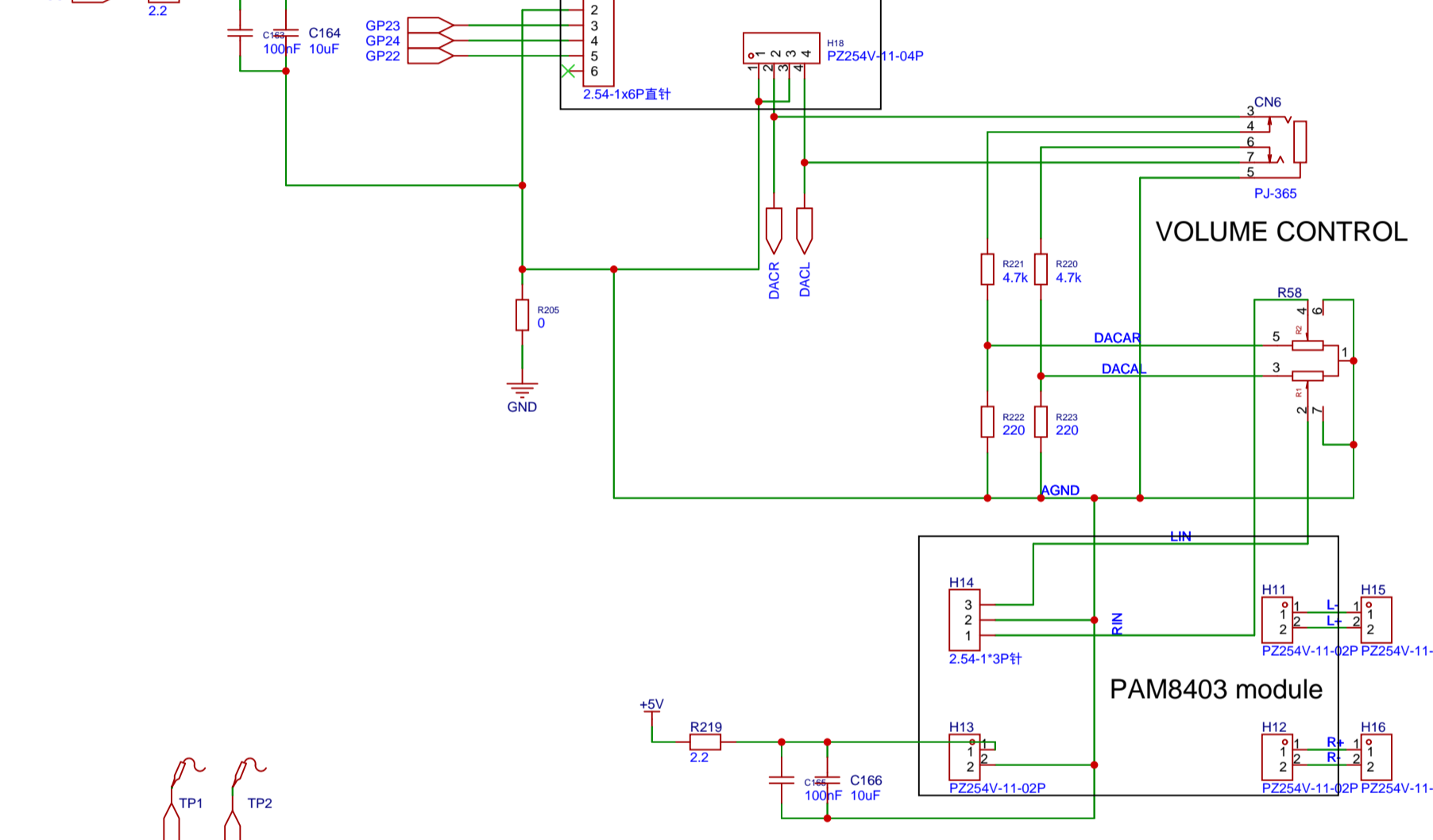
HEARTBEAT



SD CARD



PCM5102 module



Schematic	Schematic1	Update Date	2025-11-26
Page	P1	Create Date	2023-04-09
Drawn	EasyEDA Pro	Part Number	JLPCB-002
Reviewed	EasyEDA Pro	HandheldV1.4	
		PAGE	1 OF 1