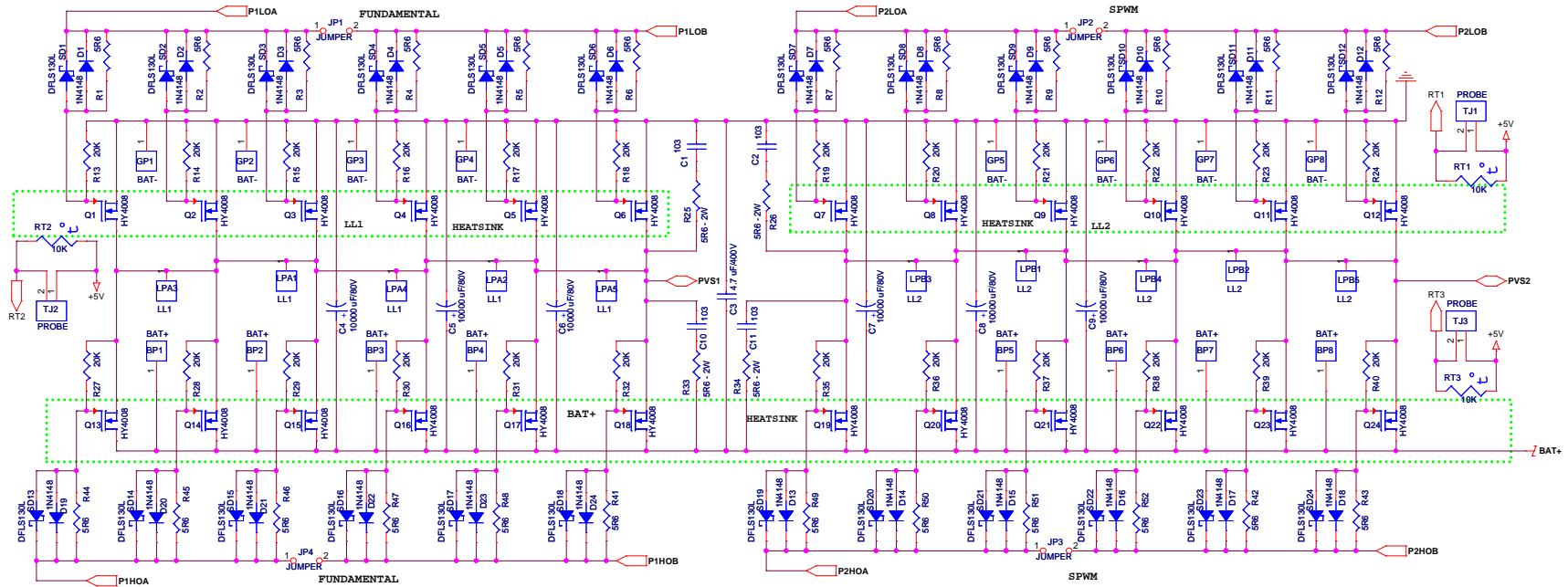


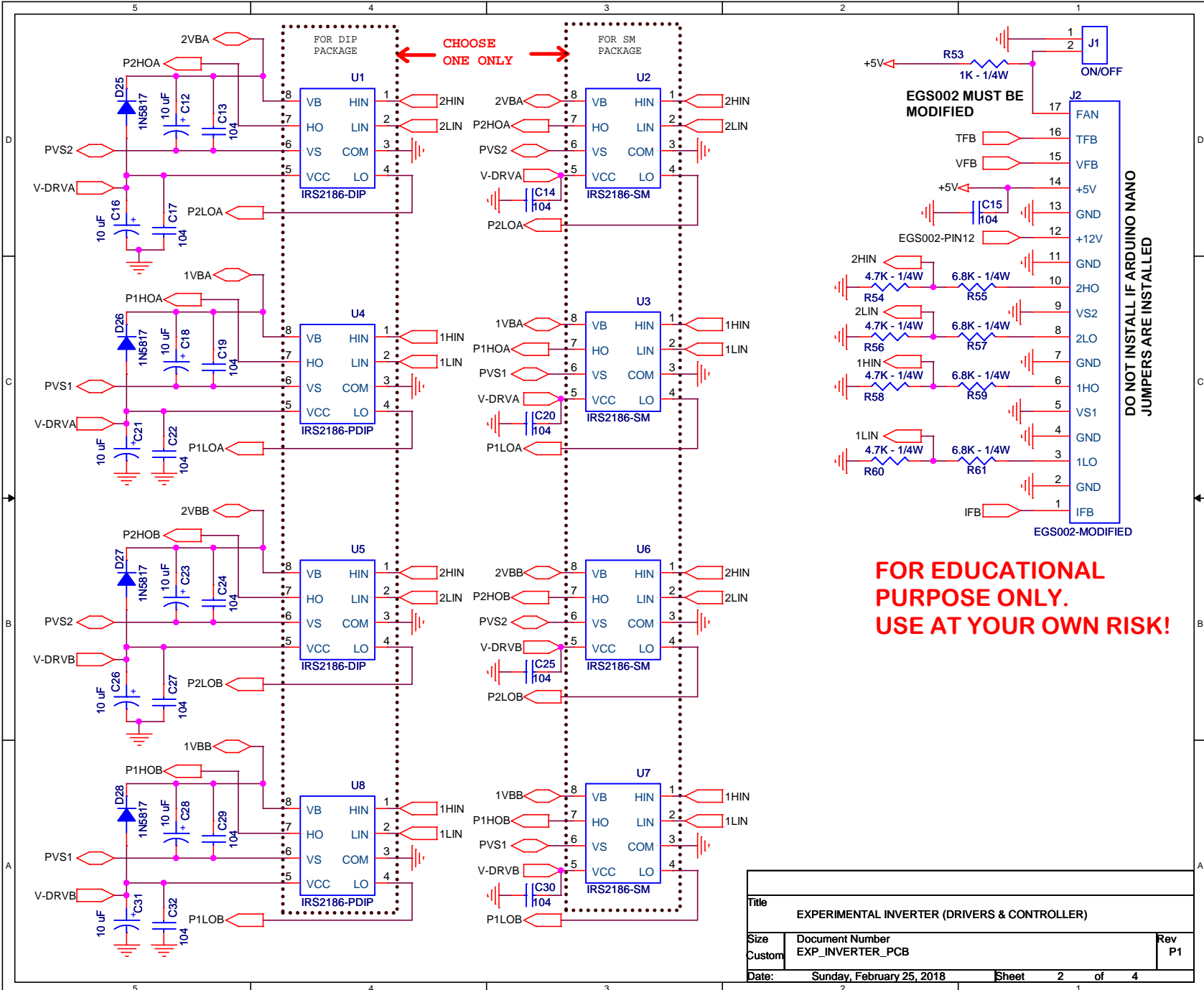
NOTES:

1. THERMISTORS (RT1-RT2) SHOULD BE LOCATED AT THE MIDDLE OF THEIR HEATSINKS.
2. SCHOTTKY DIODES SD1 THRU SD20 ARE OPTIONAL



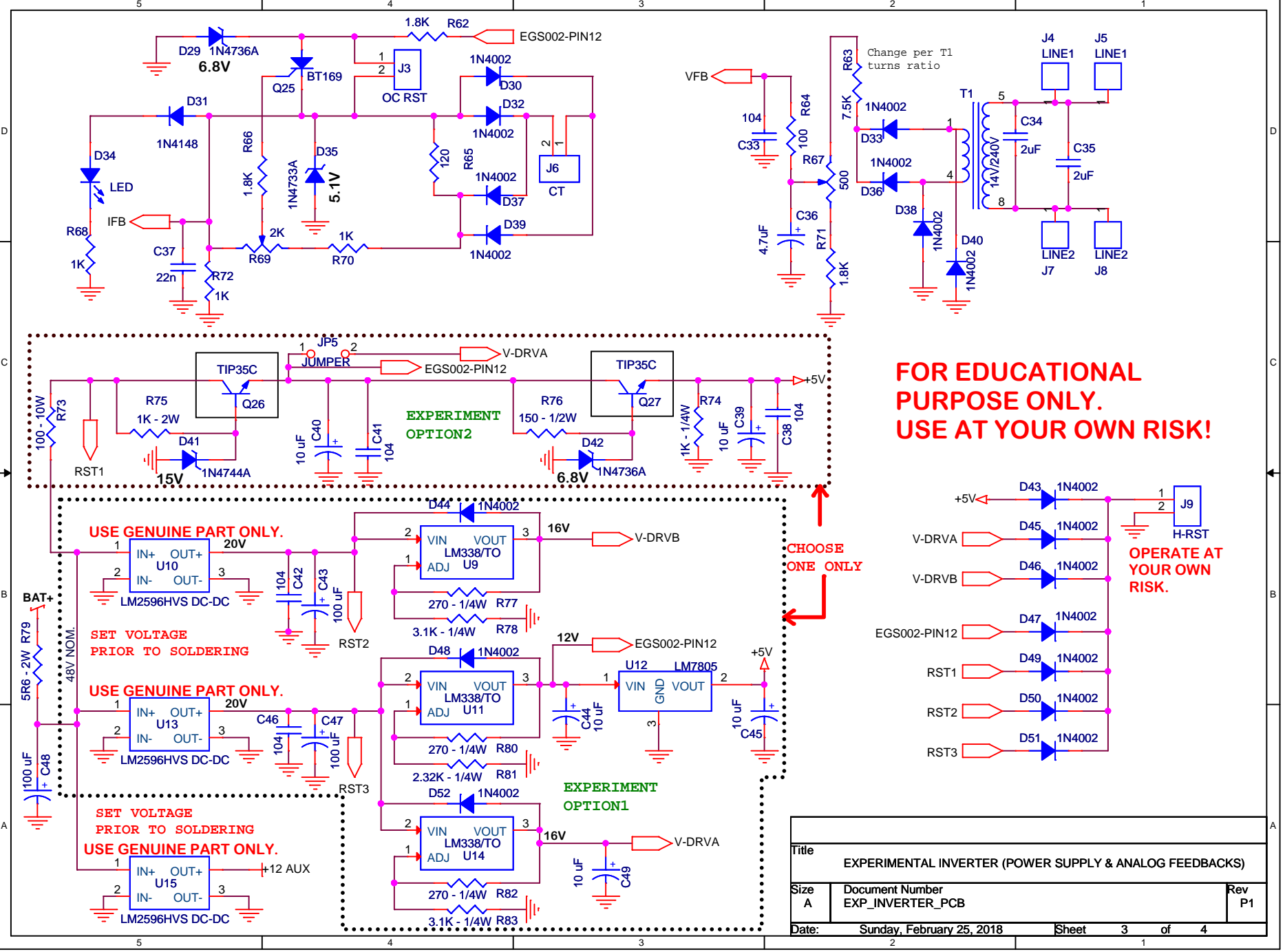
**FOR EDUCATIONAL PURPOSE ONLY.
USE AT YOUR OWN RISK!**

| | | |
|---------------------------------------|---------------------------|--------------|
| Title | | |
| EXPERIMENTAL INVERTER (POWER SECTION) | | |
| Size | Document Number | Rev |
| | EXP_INVERTER_PCB | P1 |
| Date | Sunday, February 25, 2018 | Sheet 1 of 4 |



FOR EDUCATIONAL PURPOSE ONLY. USE AT YOUR OWN RISK!

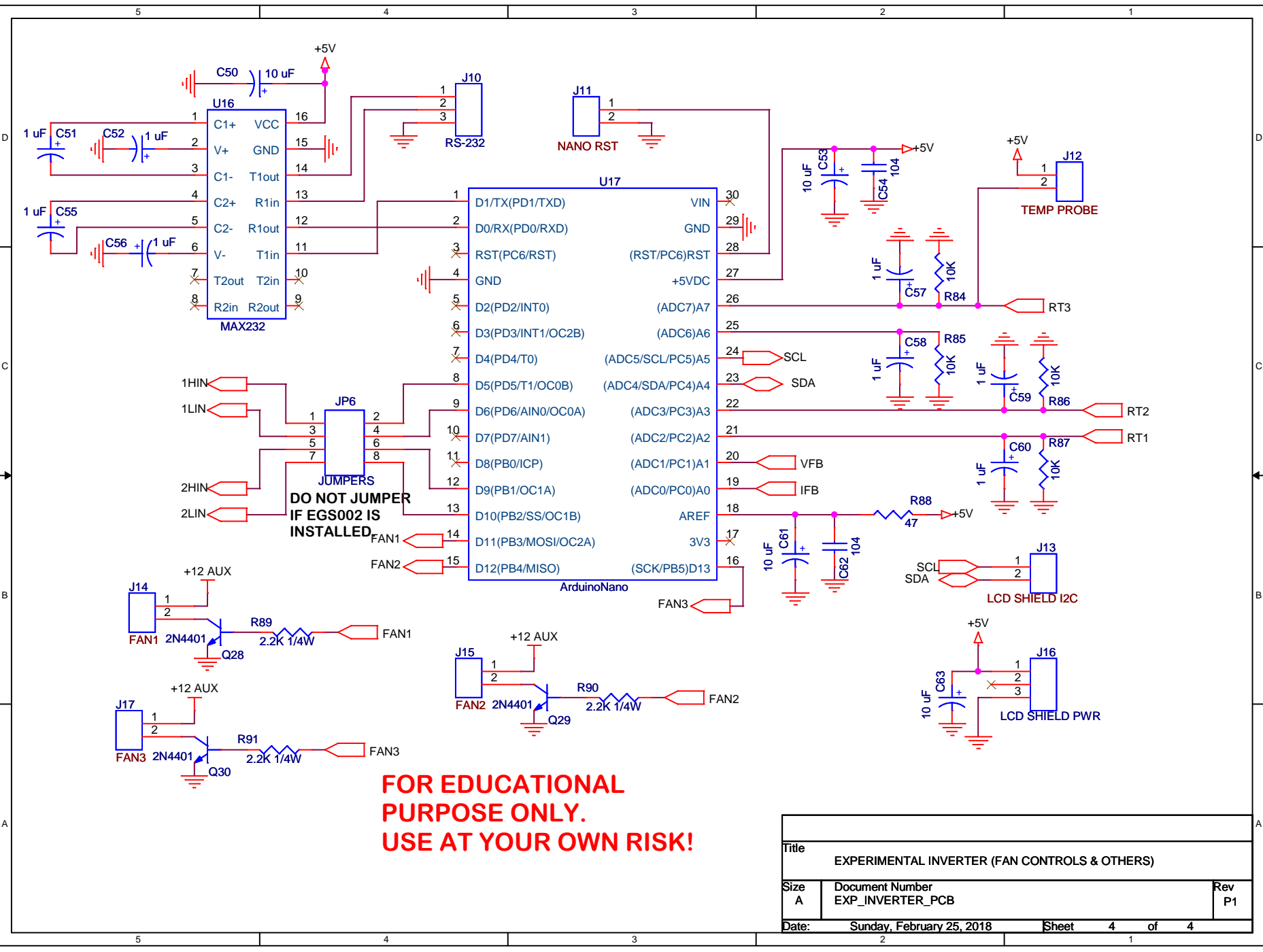
| | | |
|--|---------------------------|--------------|
| Title | | |
| EXPERIMENTAL INVERTER (DRIVERS & CONTROLLER) | | |
| Size | Document Number | Rev |
| Custom | EXP_INVERTER_PCB | P1 |
| Date: | Sunday, February 25, 2018 | Sheet 2 of 4 |



**FOR EDUCATIONAL PURPOSE ONLY.
USE AT YOUR OWN RISK!**

OPERATE AT YOUR OWN RISK.

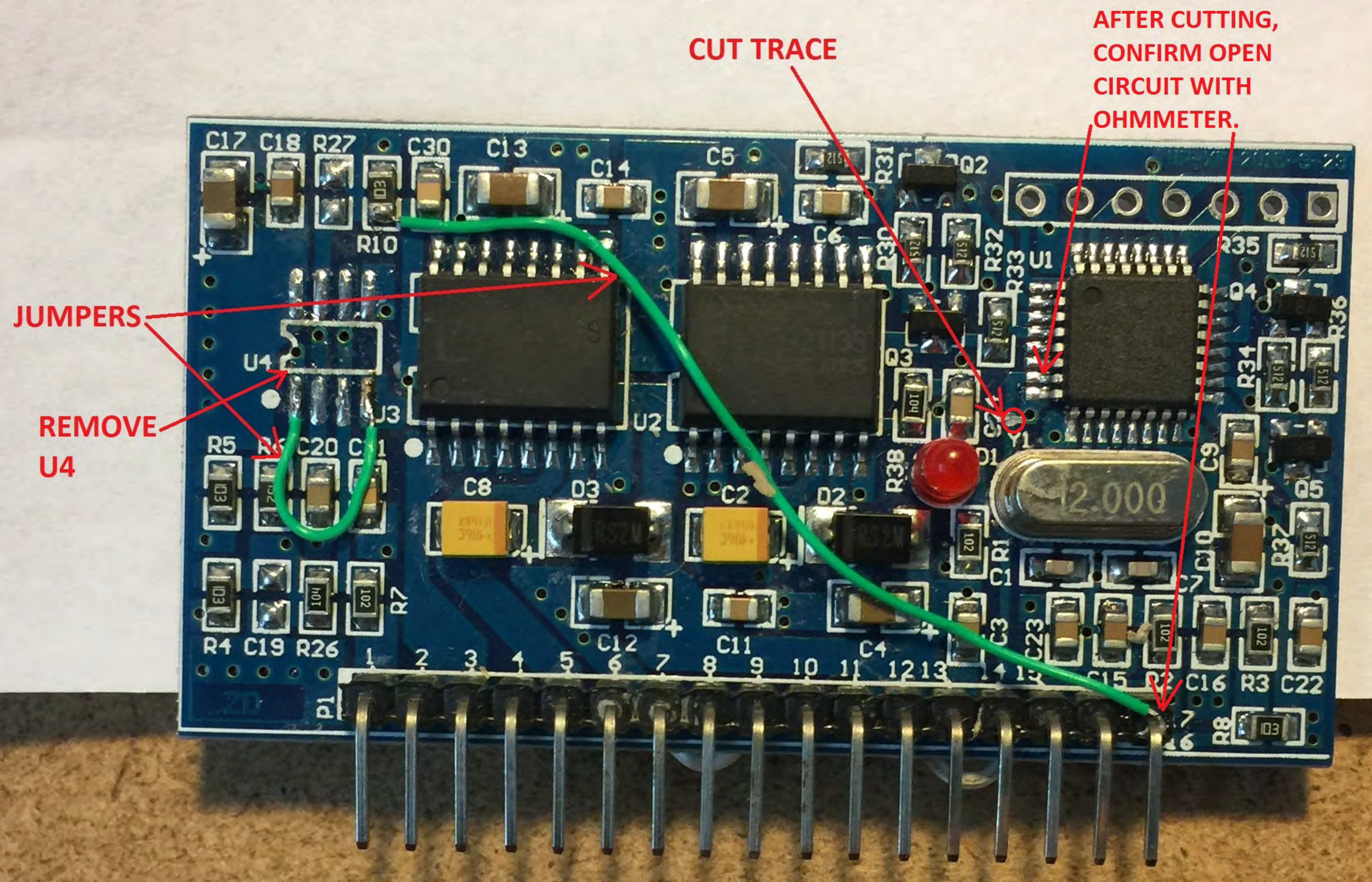
| | | |
|---|---------------------------|--------------|
| Title | | |
| EXPERIMENTAL INVERTER (POWER SUPPLY & ANALOG FEEDBACKS) | | |
| Size | Document Number | Rev |
| A | EXP_INVERTER_PCB | P1 |
| Date: | Sunday, February 25, 2018 | Sheet 3 of 4 |



JUMPERS
DO NOT JUMPER
IF EGS002 IS
INSTALLED

FOR EDUCATIONAL
PURPOSE ONLY.
USE AT YOUR OWN RISK!

| | | |
|---|---------------------------|--------------|
| Title | | |
| EXPERIMENTAL INVERTER (FAN CONTROLS & OTHERS) | | |
| Size | Document Number | Rev |
| A | EXP_INVERTER_PCB | P1 |
| Date: | Sunday, February 25, 2018 | Sheet 4 of 4 |



CUT TRACE

**AFTER CUTTING,
CONFIRM OPEN
CIRCUIT WITH
OHMMETER.**

JUMPERS

**REMOVE
U4**

The image shows a blue PCB populated with various components. At the bottom, a header strip is connected to the board. A green wire runs from the header to a component labeled U2. A red circle highlights a specific trace on the board, with an arrow pointing to the text 'CUT TRACE'. Another red arrow points to a component labeled U1, and another points to a component labeled U4. A red LED is visible on the board. The board is populated with numerous resistors, capacitors, and integrated circuits. The components are labeled with alphanumeric codes such as C17, C18, R27, C30, C13, C14, C5, C6, R31, R30, R32, R33, R35, R34, R36, R37, R38, R39, R40, R41, R42, R43, R44, R45, R46, R47, R48, R49, R50, R51, R52, R53, R54, R55, R56, R57, R58, R59, R60, R61, R62, R63, R64, R65, R66, R67, R68, R69, R70, R71, R72, R73, R74, R75, R76, R77, R78, R79, R80, R81, R82, R83, R84, R85, R86, R87, R88, R89, R90, R91, R92, R93, R94, R95, R96, R97, R98, R99, R100, C1, C2, C3, C4, C5, C6, C7, C8, C9, C10, C11, C12, C13, C14, C15, C16, C17, C18, C19, C20, C21, C22, C23, C24, C25, C26, C27, C28, C29, C30, D1, D2, D3, D4, D5, D6, D7, D8, D9, D10, D11, D12, D13, D14, D15, D16, D17, D18, D19, D20, D21, D22, D23, D24, D25, D26, D27, D28, D29, D30, U1, U2, U3, U4, U5, U6, U7, U8, U9, U10, U11, U12, U13, U14, U15, U16, U17, U18, U19, U20, U21, U22, U23, U24, U25, U26, U27, U28, U29, U30, R1, R2, R3, R4, R5, R6, R7, R8, R9, R10, R11, R12, R13, R14, R15, R16, R17, R18, R19, R20, R21, R22, R23, R24, R25, R26, R27, R28, R29, R30, R31, R32, R33, R34, R35, R36, R37, R38, R39, R40, R41, R42, R43, R44, R45, R46, R47, R48, R49, R50, R51, R52, R53, R54, R55, R56, R57, R58, R59, R60, R61, R62, R63, R64, R65, R66, R67, R68, R69, R70, R71, R72, R73, R74, R75, R76, R77, R78, R79, R80, R81, R82, R83, R84, R85, R86, R87, R88, R89, R90, R91, R92, R93, R94, R95, R96, R97, R98, R99, R100, C1, C2, C3, C4, C5, C6, C7, C8, C9, C10, C11, C12, C13, C14, C15, C16, C17, C18, C19, C20, C21, C22, C23, C24, C25, C26, C27, C28, C29, C30, D1, D2, D3, D4, D5, D6, D7, D8, D9, D10, D11, D12, D13, D14, D15, D16, D17, D18, D19, D20, D21, D22, D23, D24, D25, D26, D27, D28, D29, D30, U1, U2, U3, U4, U5, U6, U7, U8, U9, U10, U11, U12, U13, U14, U15, U16, U17, U18, U19, U20, U21, U22, U23, U24, U25, U26, U27, U28, U29, U30.