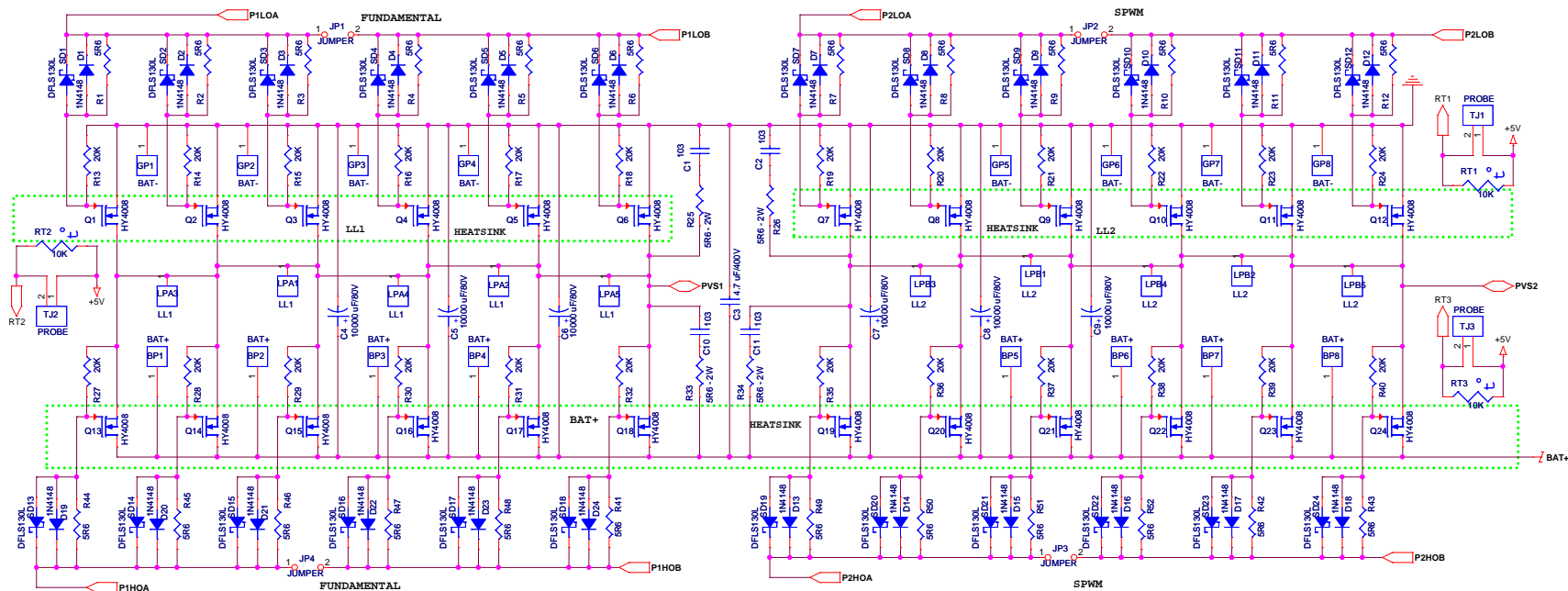


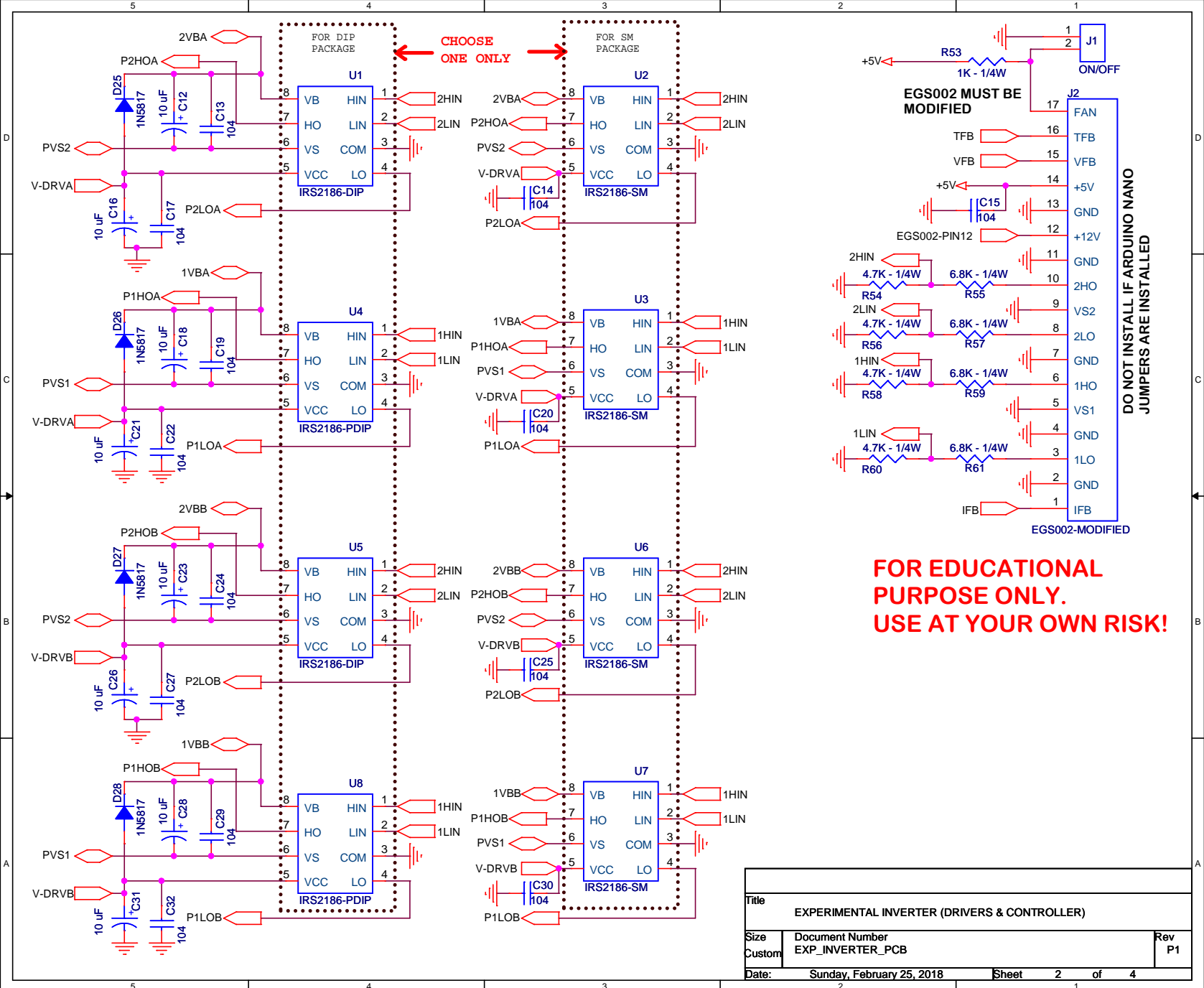
NOTES:

1. THERMISTORS (RT1-RT2) SHOULD BE LOCATED AT THE MIDDLE OF THEIR HEATSINKS.
2. SCHOTTKY DIODES SD1 THRU SD20 ARE OPTIONAL



**FOR EDUCATIONAL PURPOSE ONLY.
USE AT YOUR OWN RISK!**

Title	EXPERIMENTAL INVERTER (POWER SECTION)	
Size	Document Number EXP_INVERTER_PCB	Rev P1
Date:	Sunday, February 25, 2018	Sheet 1 of 4



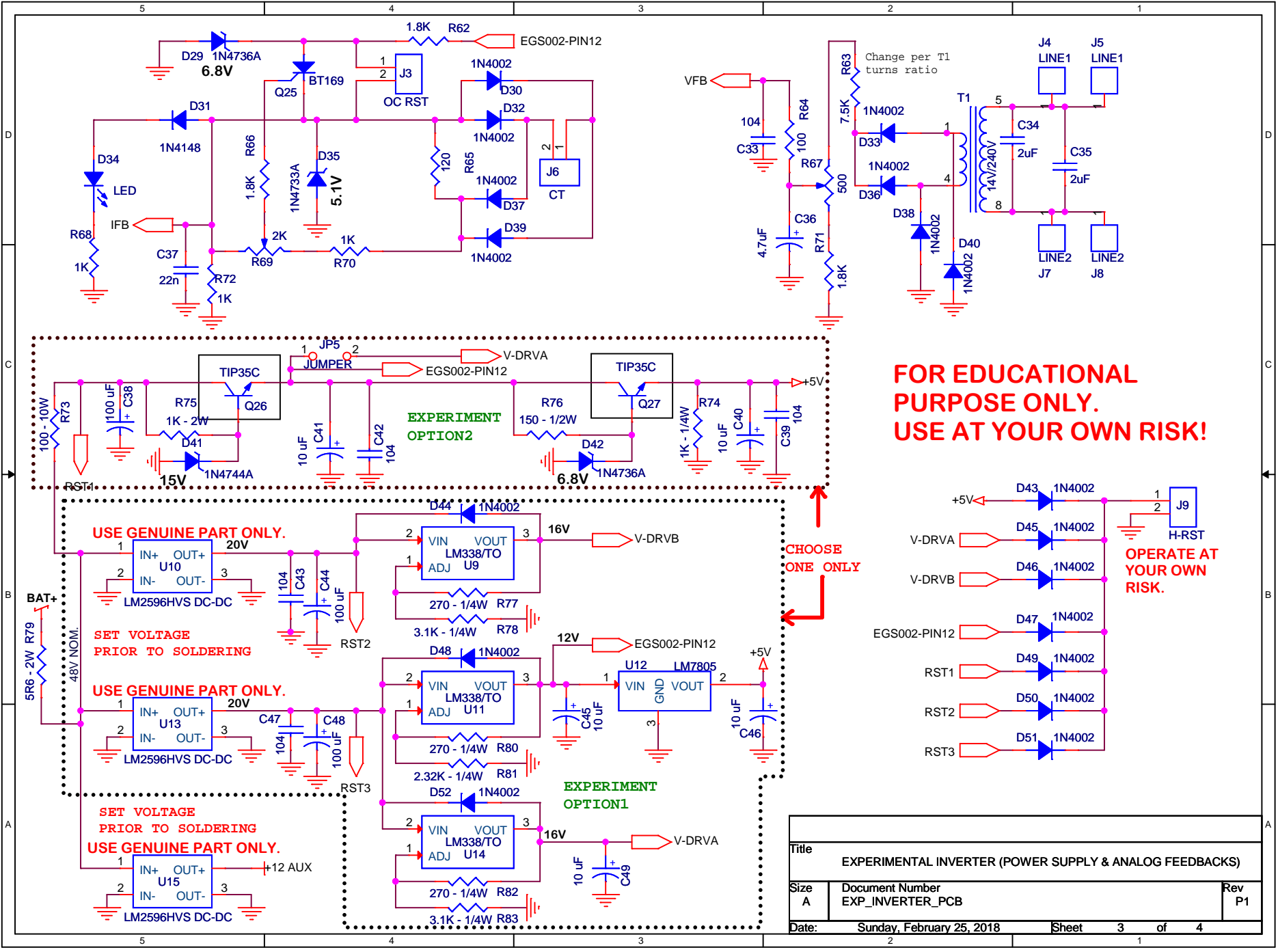
CHOOSE ONE ONLY

EGS002 MUST BE MODIFIED

**FOR EDUCATIONAL PURPOSE ONLY.
USE AT YOUR OWN RISK!**

DO NOT INSTALL IF ARDUINO NANO JUMPERS ARE INSTALLED

Title		
EXPERIMENTAL INVERTER (DRIVERS & CONTROLLER)		
Size	Document Number	Rev
Custom	EXP_INVERTER_PCB	P1
Date:	Sunday, February 25, 2018	Sheet 2 of 4

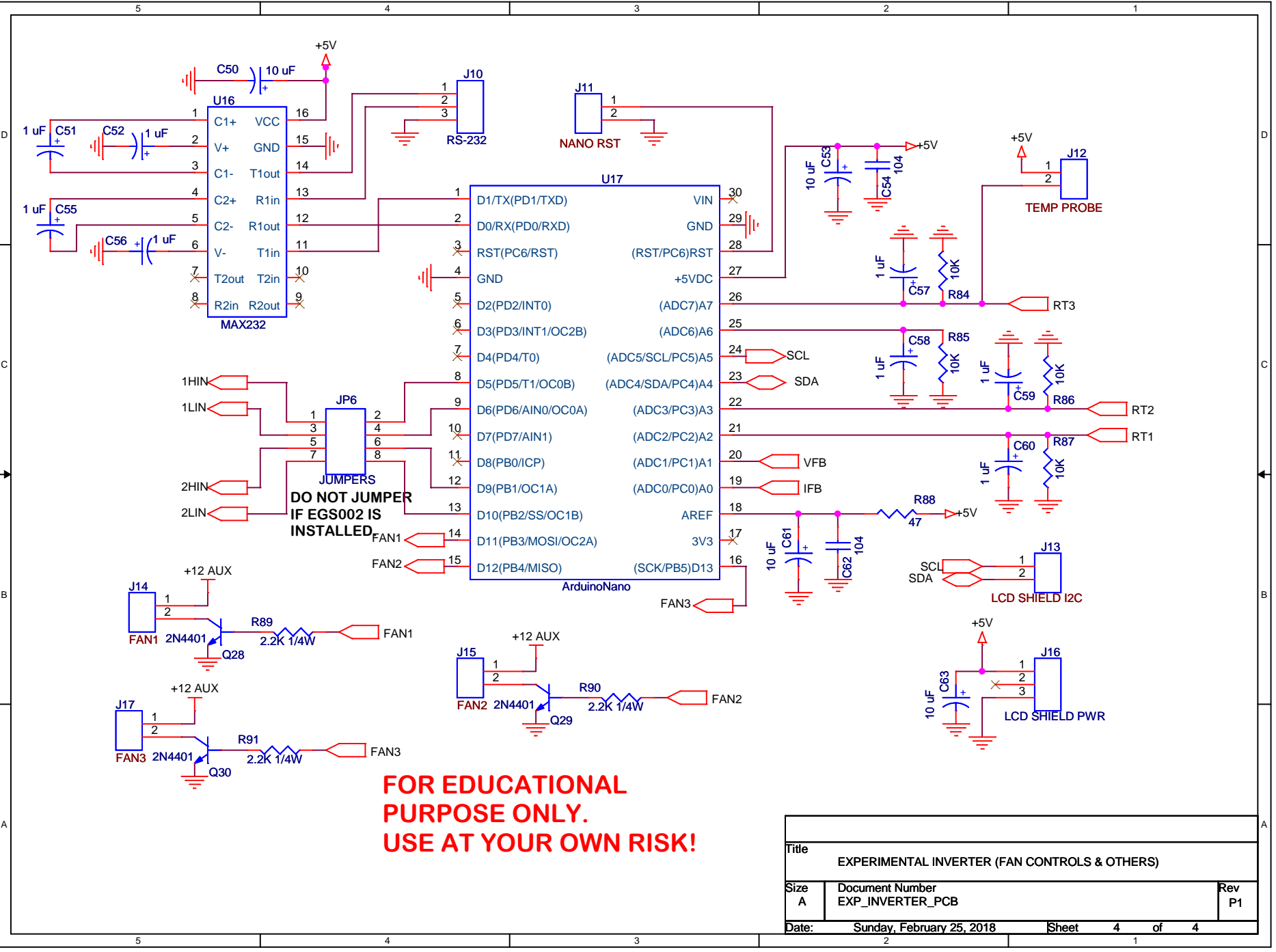


FOR EDUCATIONAL PURPOSE ONLY. USE AT YOUR OWN RISK!

CHOOSE ONE ONLY

OPERATE AT YOUR OWN RISK.

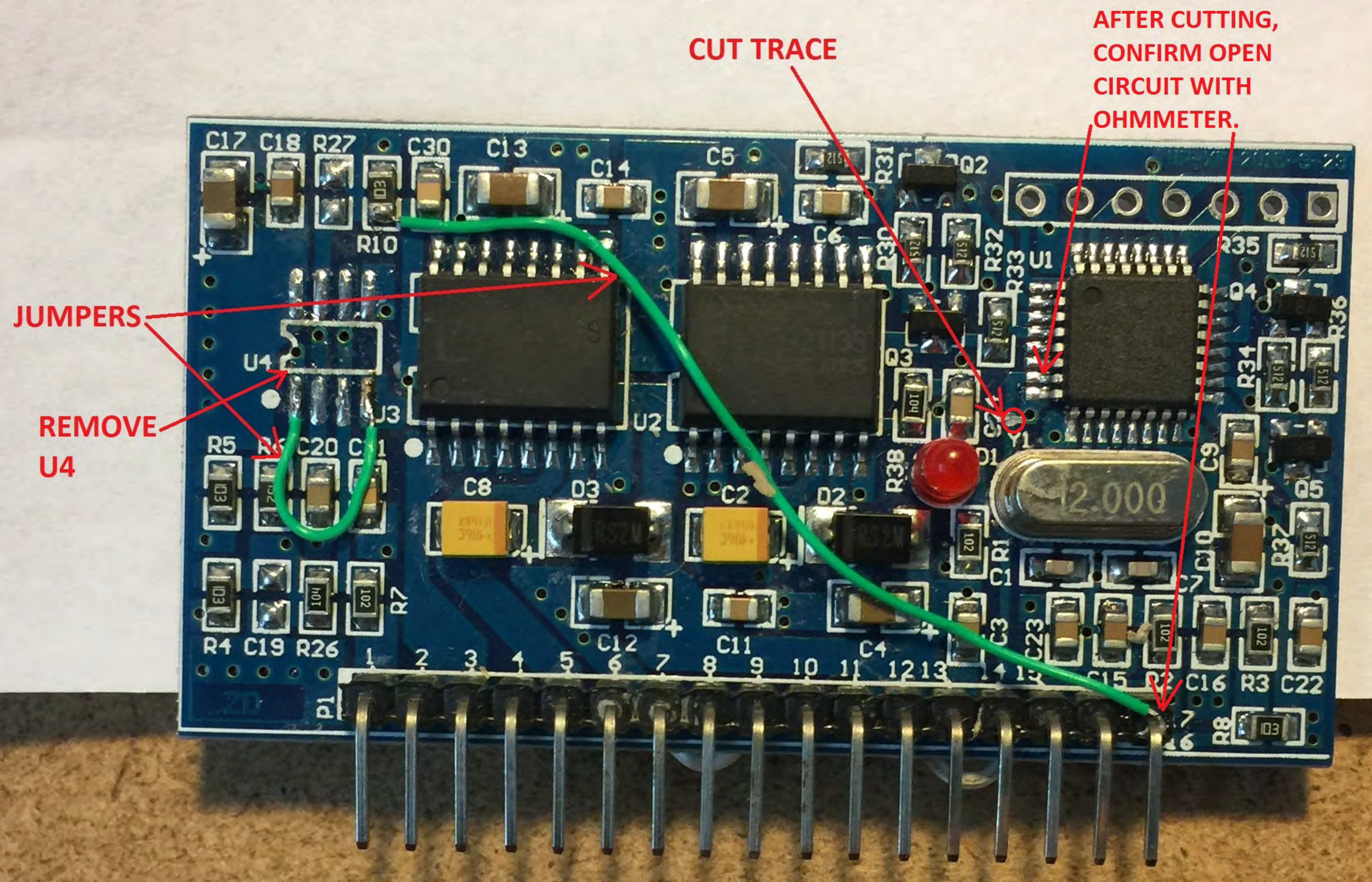
Title EXPERIMENTAL INVERTER (POWER SUPPLY & ANALOG FEEDBACKS)		
Size A	Document Number EXP_INVERTER_PCB	Rev P1
Date: Sunday, February 25, 2018	Sheet 3	of 4



JUMPERS
DO NOT JUMPER
IF EGS002 IS
INSTALLED

FOR EDUCATIONAL
PURPOSE ONLY.
USE AT YOUR OWN RISK!

Title		
EXPERIMENTAL INVERTER (FAN CONTROLS & OTHERS)		
Size	Document Number	Rev
A	EXP_INVERTER_PCB	P1
Date:	Sunday, February 25, 2018	Sheet 4 of 4



CUT TRACE

**AFTER CUTTING,
CONFIRM OPEN
CIRCUIT WITH
OHMMETER.**

JUMPERS

**REMOVE
U4**