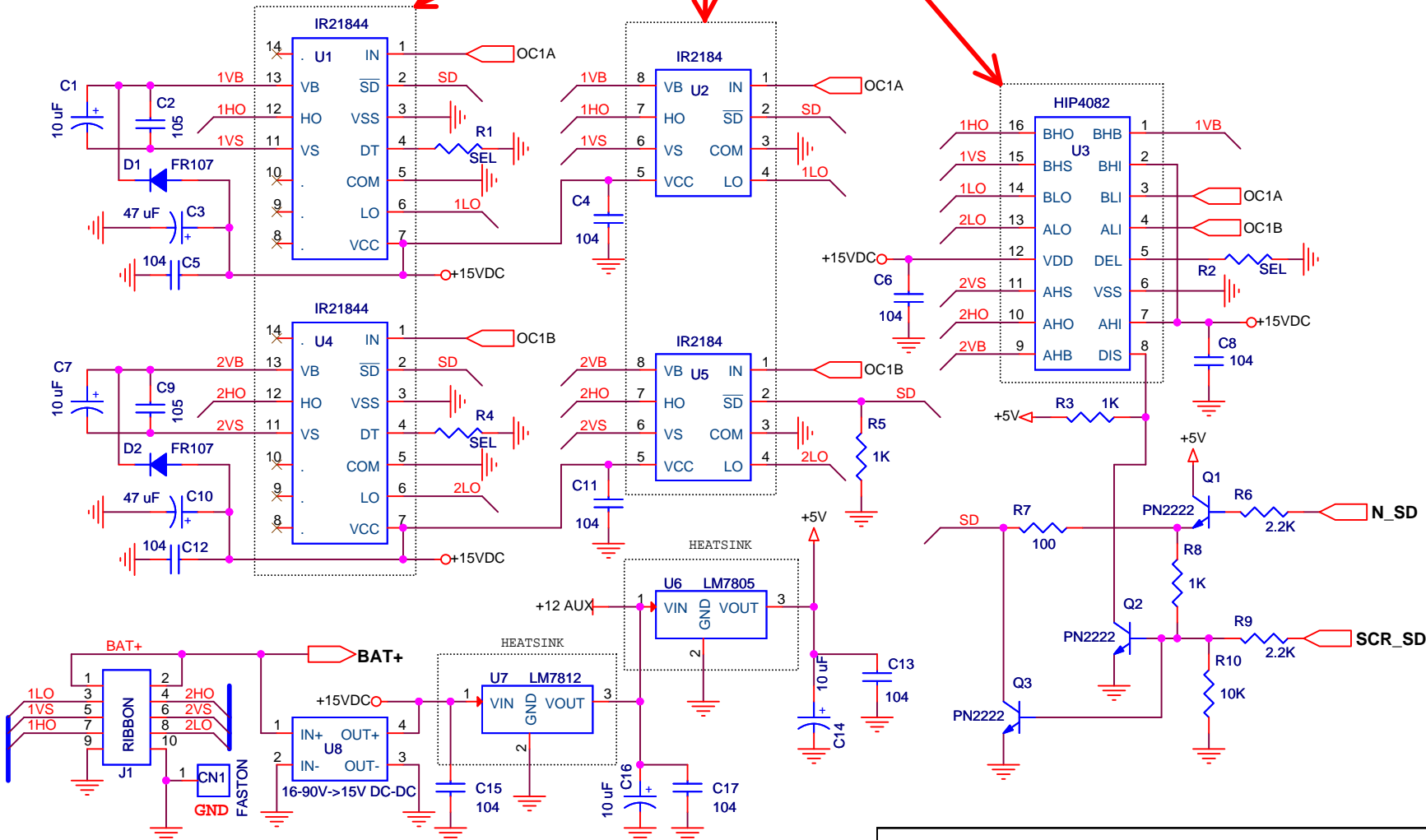


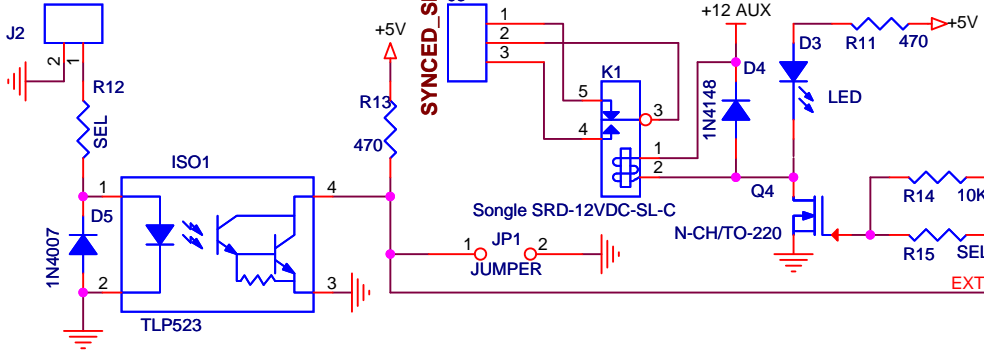
**CHOOSE YOUR POISON.
CAUTION: MORE THAN ONE CAN KILL!**



DRAFT

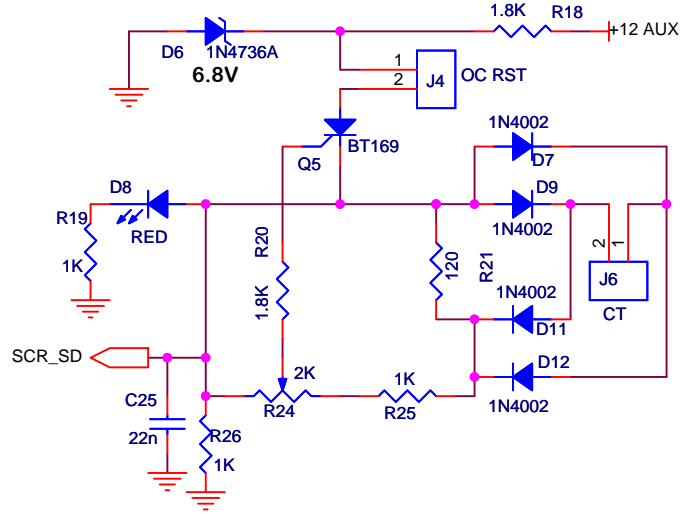
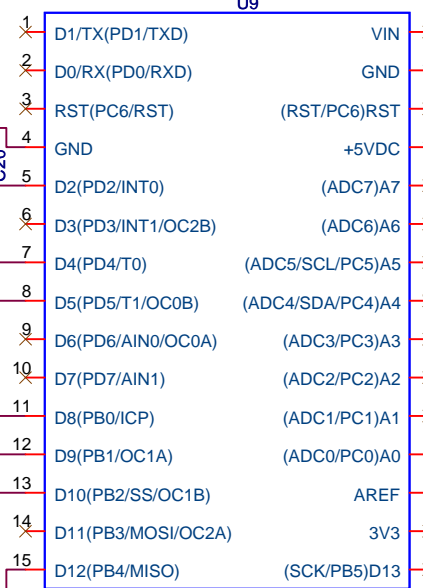
| | | |
|----------------------------|-----------------------------|--------------|
| Title | | |
| Drivers and Power Supplies | | |
| Size | Document Number | Rev |
| A | Nanoverter | <Rev Code> |
| Date: | Saturday, November 24, 2018 | Sheet 1 of 3 |

12VAC EXTERNAL XFMR



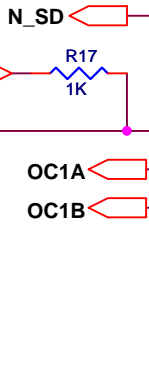
LOCATE FOR SHORTEST CONNECTION TO U1 PINS.

ArduinoNano U9

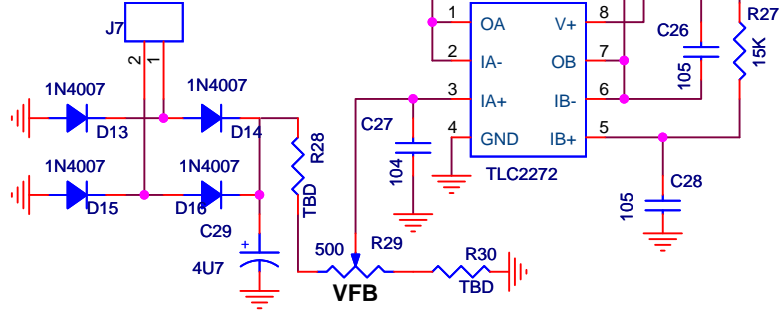


ST_SP_SIG

ST_SP_SW1

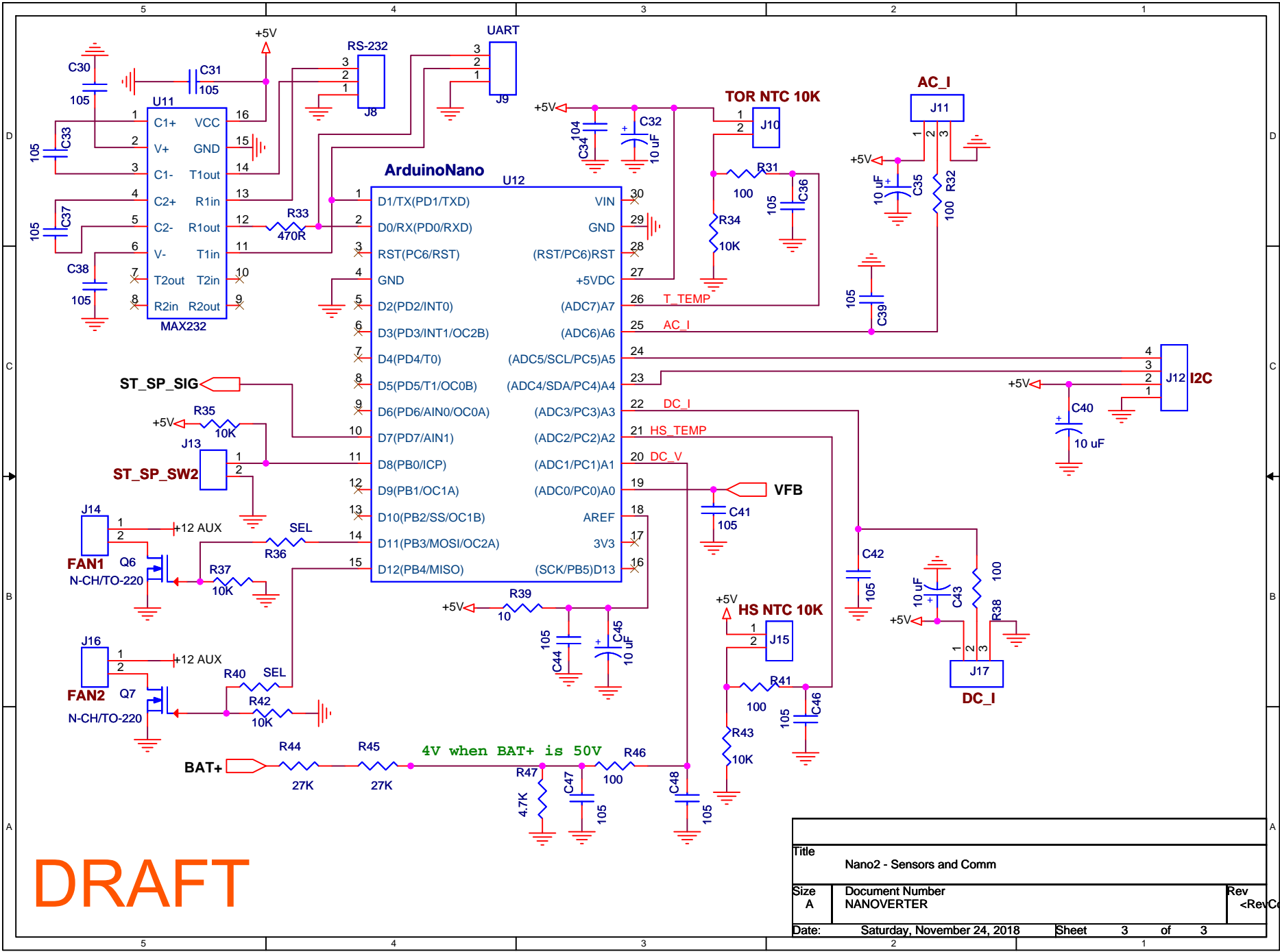


12VAC VFB



DRAFT

| | | |
|--|-------------------------------|-------------------|
| Title | | |
| Nano1 - SPWM Mosfet Drivers @ Power Supplies | | |
| Size A | Document Number NANOVERTER | Rev <Rev Code> |
| Date: | Saturday, November 24, 2018 | Sheet 2 of 3 |



DRAFT

| | | |
|--------------------------|-----------------------------|--------------|
| Title | | |
| Nano2 - Sensors and Comm | | |
| Size | Document Number | Rev |
| A | NANOVERTER | <Rev Code> |
| Date: | Saturday, November 24, 2018 | Sheet 3 of 3 |