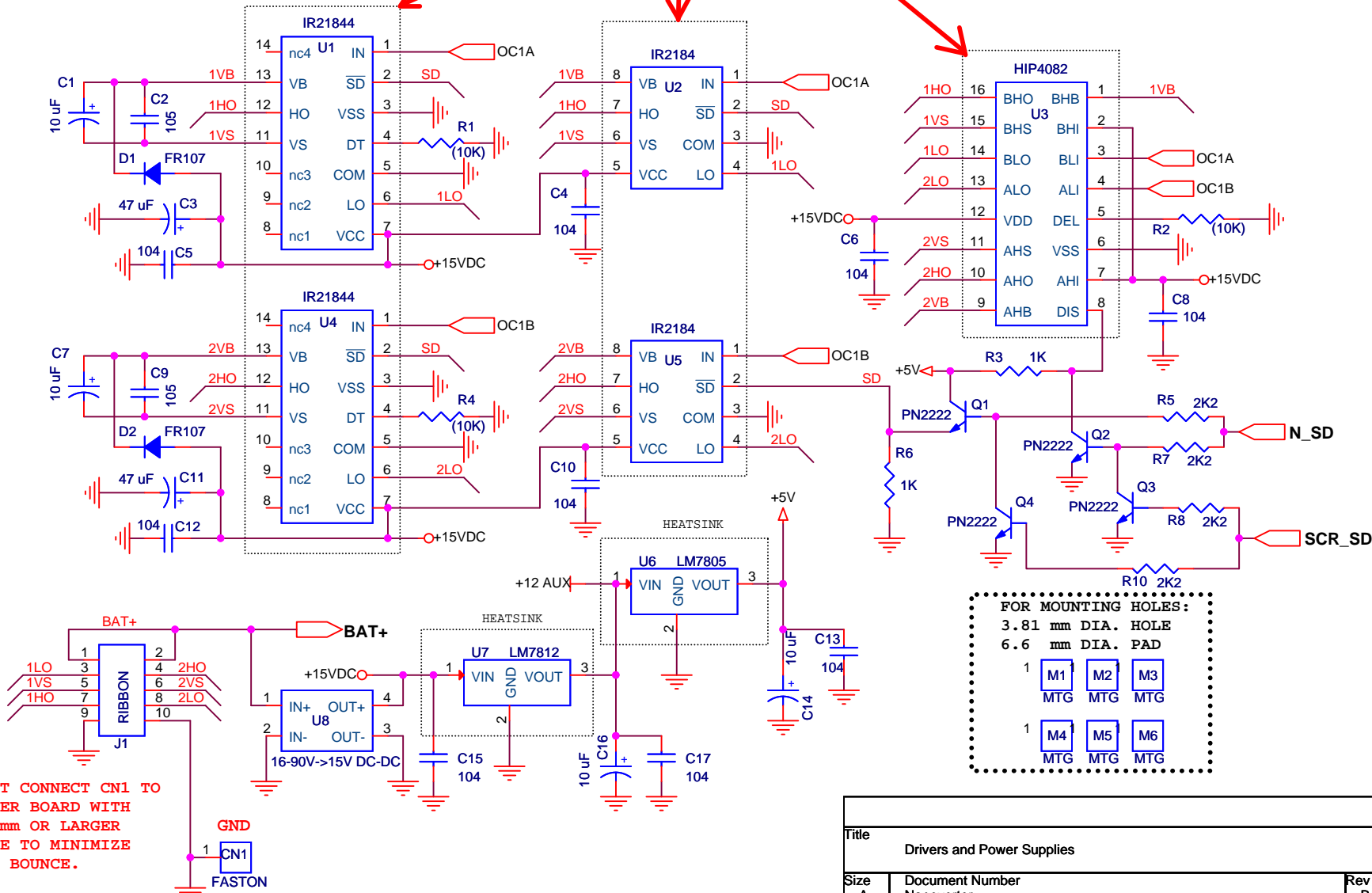
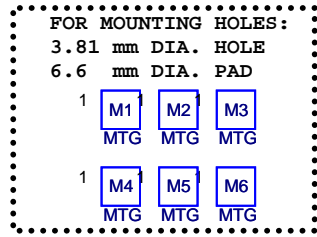


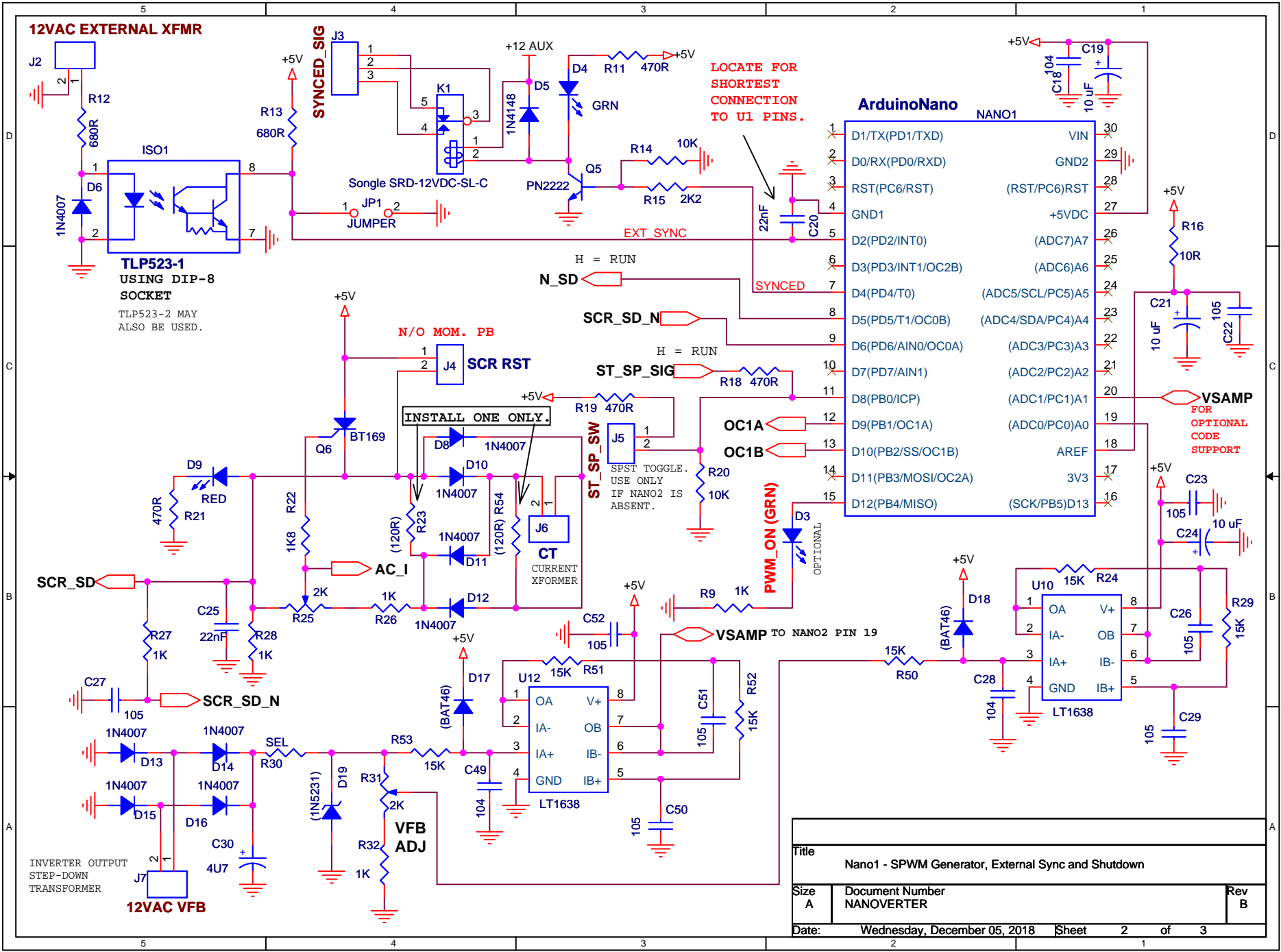
**CHOOSE YOUR POISON.
CAUTION: MORE THAN ONE CAN KILL!**



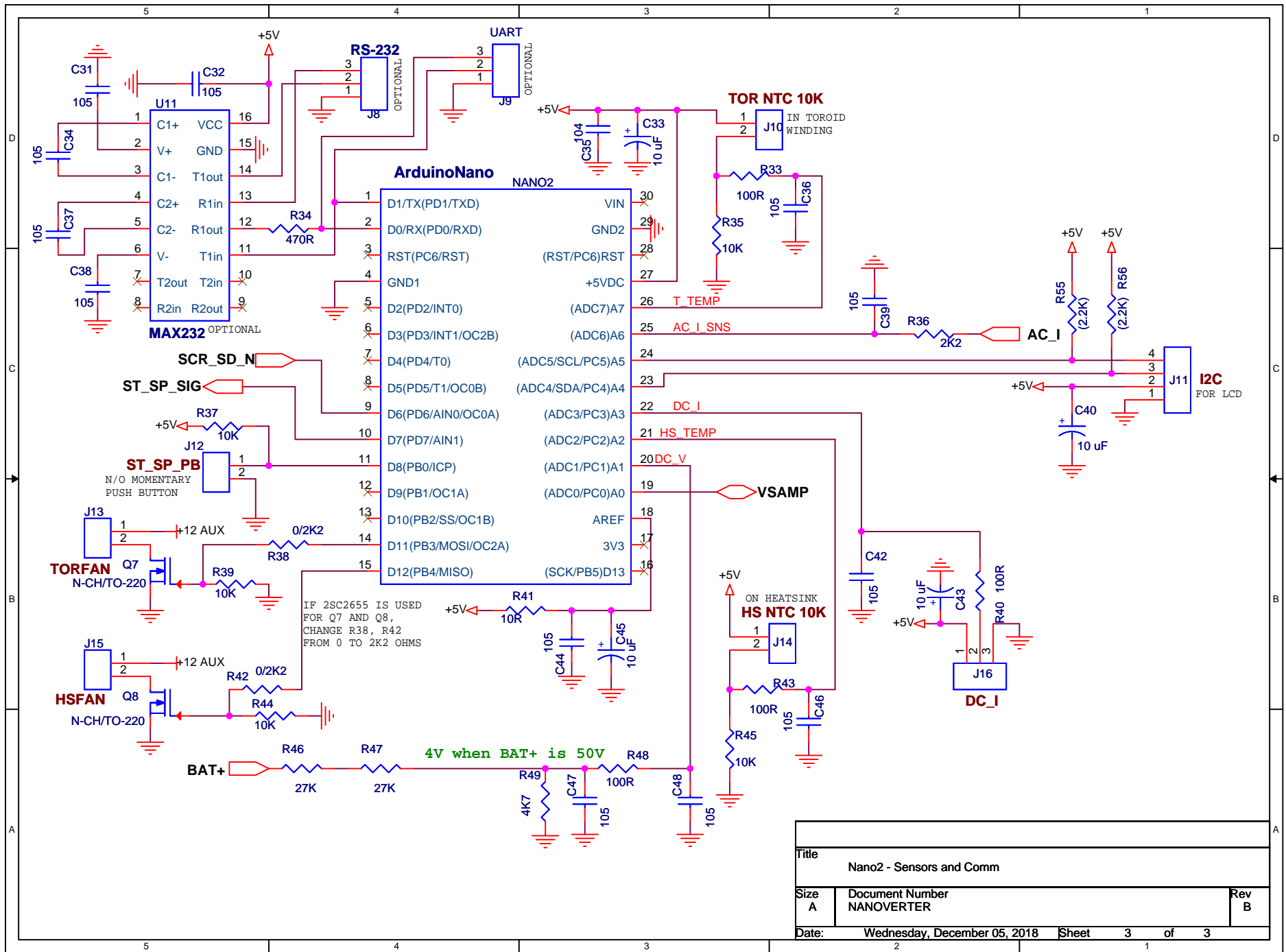
**MUST CONNECT CN1 TO
POWER BOARD WITH
1.6mm OR LARGER
WIRE TO MINIMIZE
GND BOUNCE.**



Title		
Drivers and Power Supplies		
Size A	Document Number Nanoverter	Rev B
Date:	Tuesday, December 04, 2018	Sheet 1 of 3



Title		
Nano1 - SPWM Generator, External Sync and Shutdown		
Size A	Document Number NANOVERTER	Rev B
Date:	Wednesday, December 05, 2018	Sheet 2 of 3



Title		
Nano2 - Sensors and Comm		
Size	Document Number	Rev
A	NANOVERTER	B
Date:	Wednesday, December 05, 2018	Sheet 3 of 3